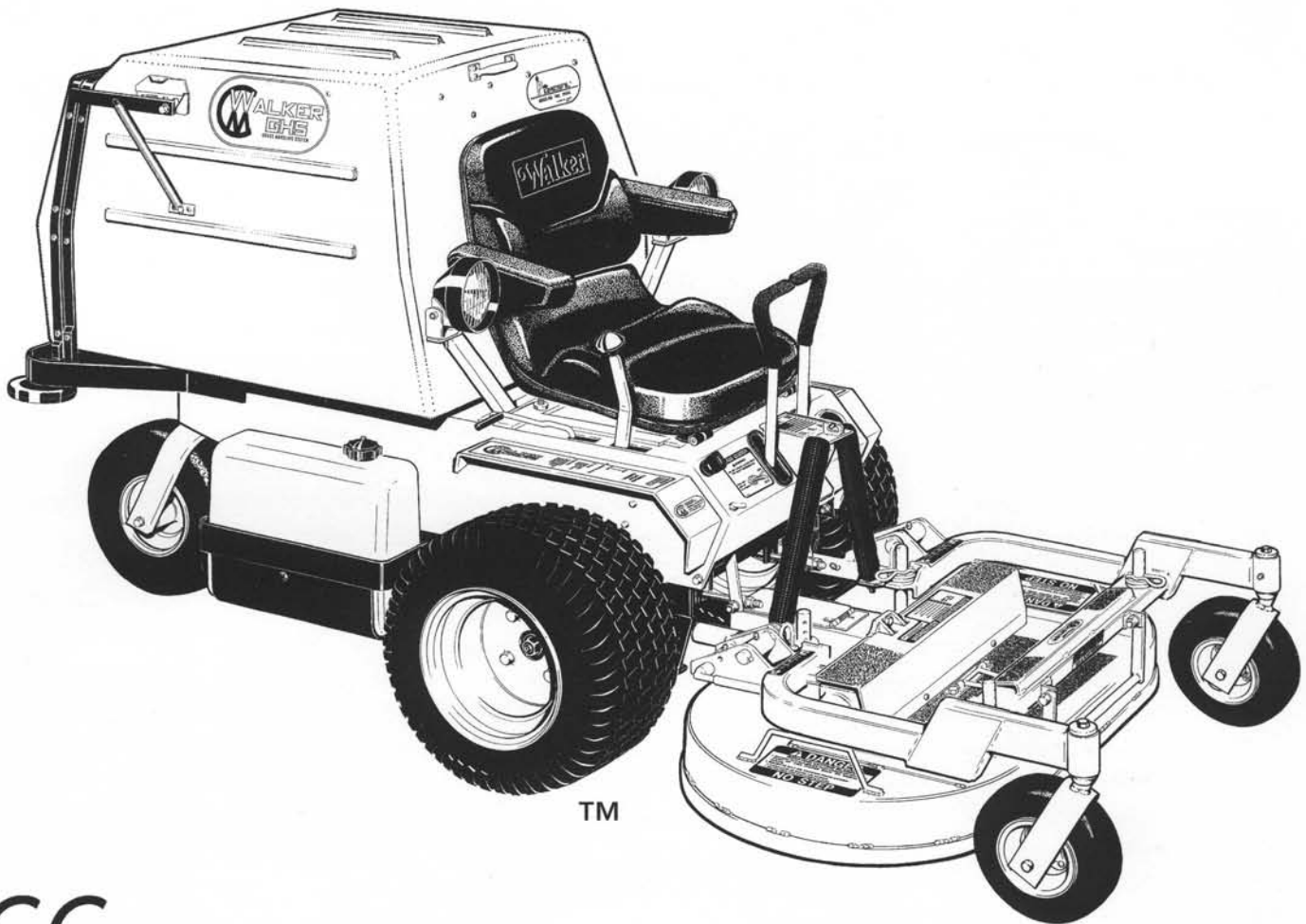


Walker Rider Lawnmowers

ILLUSTRATED PARTS MANUAL

Model MC (16 HP)



CE

Effective Date:
02-07-97

P/N 6000-2
Price \$5.00

KEY TO ABBREVIATIONS USED IN THIS MANUAL

<i>Abbreviation</i>	<i>What it Represents</i>
AT	All-Terrain
CCW	Counter-clockwise
Conn.	Connector
CW	Clockwise
DGHS.....	Deck, Grass Handling System (number refers to size in inches)
DML	Deck, Mulching (number refers to size in inches)
DSD	Deck, Side Discharge (number refers to size in inches)
ESNA (Fastener).....	Nylon Insert Locknut
FSC	Forward Speed Control
GA.....	Gauge
gal.	gallon
GHS	Grass Handling System
GR (Fastener)	Grade
ID	Inside Diameter
" or in. (Dimension)	inches
LH	Left Hand (orientated with operator on seat)
mm (Dimension).....	millimeters
MS (Fastener)	Machine Screw
NS (as part number)	Item is not sold by Walker Manufacturing
OD.....	Outside Diameter
oz.	ounce
PFHMS (Fastener).....	Phillips Flat Head Machine Screw
P/N	Part Number
PPHMS (Fastener).....	Phillips Pan Head Machine Screw
PPHSM (Fastener).....	Phillips Pan Head Sheet Metal (Screw)
PPHST (Fastener)	Phillips Pan Head Self-Tapping (Screw)
PTHMS (Fastener).....	Phillips Truss Head Machine Screw
PTO.....	Power Take-Off
QKS	Quick Slide
qt.	quart
RH.....	Right Hand (orientated with operator on seat)
SAE (Fastener)	Society of Automotive Engineers
SBH (Fastener)	Socket Button Head (Bolt)
SD	Side Discharge
SFH (Fastener)	Slotted Flat Head
SHC (Fastener).....	Socket Head Cap
SHL (Fastener)	Shoulder (Bolt)
Spg.....	Spring
SQH (Fastener).....	Square Head
SS (Fastener).....	Stainless Steel
Term.....	Terminal

Use only genuine **Walker** replacement parts.

Effective Date 02-07-97

ILLUSTRATED PARTS LIST

<i>Section of Mower Covered</i>	<i>Page</i>	<i>Section of Mower Covered</i>	<i>Page</i>
Decals		GHS 6.7 Bushel Catcher &	
Tractor Decals.....	2	Exhaust Deflector Assemblies	24
Body / Chassis Assemblies		Electrical Assembly	26
Body / Chassis Assembly (GHS Models).....	4	Special Options	
Body Assembly (SD Models)	6*	7400 Parking Brake Kit	28
Tractor Components		5989 Light Kit	30
Main Component Power Transmission		5885 Armrest Kit & Walker Touch-Up Paint.....	32
(GHS Models).....	8	5638 Cold Start &	
(SD Models).....	10	5190 Acoustical Sound Barrier Kits	34
Engine Group	12	8072 All-Terrain Tire Kit & Tire Chain Sets	36
Hydrostatic Ground Drive Assemblies	14	Maintenance	
Steering Control Assemblies.....	16	Lubrication Points	38
Throttle & Choke Control Assemblies	18	Wiring Schematic	40
GHS Group	20	Warranty	
GHS Powerfil® Assembly.....	22	Limited Warranty	41

* Refer to GHS Body Assembly (Page 4) for all common parts used on both models.

TRACTOR DECALS

ITEM NO.	PART NO.	DESCRIPTION	LOCATION	NO. REQ'D. GHS	NO. REQ'D SD
Walker Product and Operation Decals					
1	5801	GHS	6.7 Bushel Catcher (one on each side)	2	0
2	5803	Walker Manufacturing Logo	Body	1	1
3	5856	Made in USA	Body, Spring Bracket	1	1
4	5800	Walker Mower (4 x 7-1/2)	Utility Bed (one on each side)	0	2
5	5813-1	Powerfil®	6.7 Bushel Catcher, Front	1	0
6	5802-2	LH Fender	Body, LH near Seat	1	1
7	5802-1	RH Fender	Body, RH near Seat	1	1
8	6806	Blade Clutch	Body	1	1
Danger Decals Warning Decals Caution Decals					
9	5805	Caution, Engine Exhaust	Body, LH Side	1	1
10	5861	Danger, Raised Body	Body - Underside, Center*	1	1
11	5804	Warning, Rotating Blower Blades	Body near Body Chute	1	0
12	6810	Danger, Engine Exhaust	Engine	1	1
13	5868	Danger, Pinch Point	6.7 Bushel Catcher Mounting Frame Assembly (one on each side)	2	0
Maintenance Decals					
14	6838	Gates Belts	Body - Underside, Center*	1	1
15	5815	Body Lift	Rear Bumper	1	1
16	6811	Precleaner Jar	Glass Collection Jar, Precleaner Assembly	1	1
17	5855	Important, Engine Cooling	Engine	1	1
18	5819	Blower Maintenance	Blower Housing	1	0
19	5810	Reservoir	Hydrostatic Drives (one on each)	2	2
20	5810-1	Axle Oil Level	Gear Axle Drive Assemblies (one on each)	2	2
21	6875	PTO Alignment Arrow	Universal Joint Tube Assembly	1	1
22	5859	Lights Only	Wire Harness Plug (Light Connection)	1**	1**
23	5869	Removable Screen	6.7 Bushel Catcher Removable Screen	1	0
Option Decals***					
24	7809	Parking Brake	Body, RH below seat	1	1
25	5802	Cold Start	Body, Rear RH Side, above lever	1	1

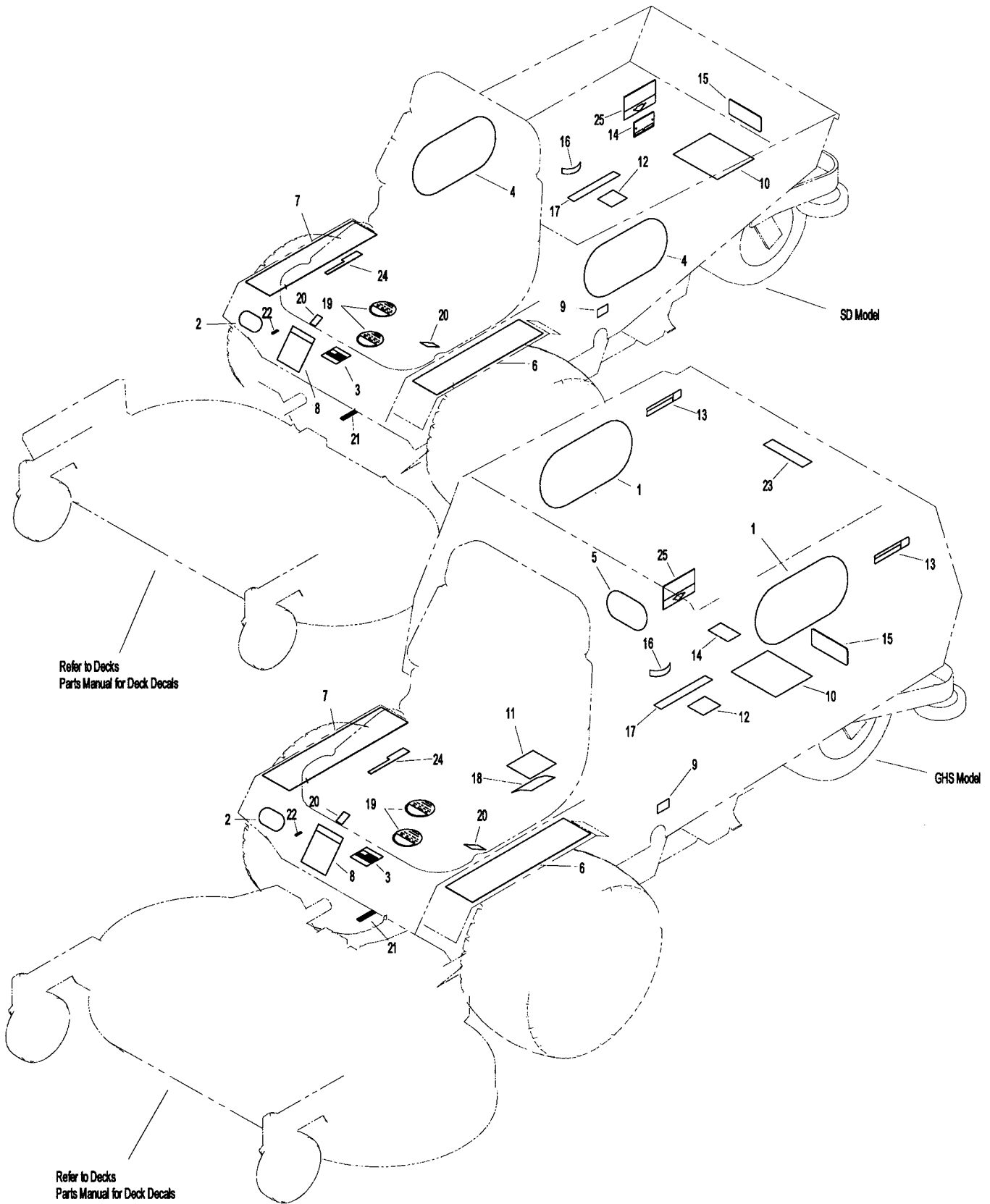
* With Installation of 5190 Acoustical Sound Barrier Kit, these Decals move to Inner LH Side of Body.

** This Decal furnished with Wire Harness.

*** Option Decals applied only to units with corresponding Options installed.

NOTE: All parts requiring decals are shipped with decals applied.

TRACTOR DECALS



Effective Date 02-07-97

Use only genuine **Walker** replacement parts.

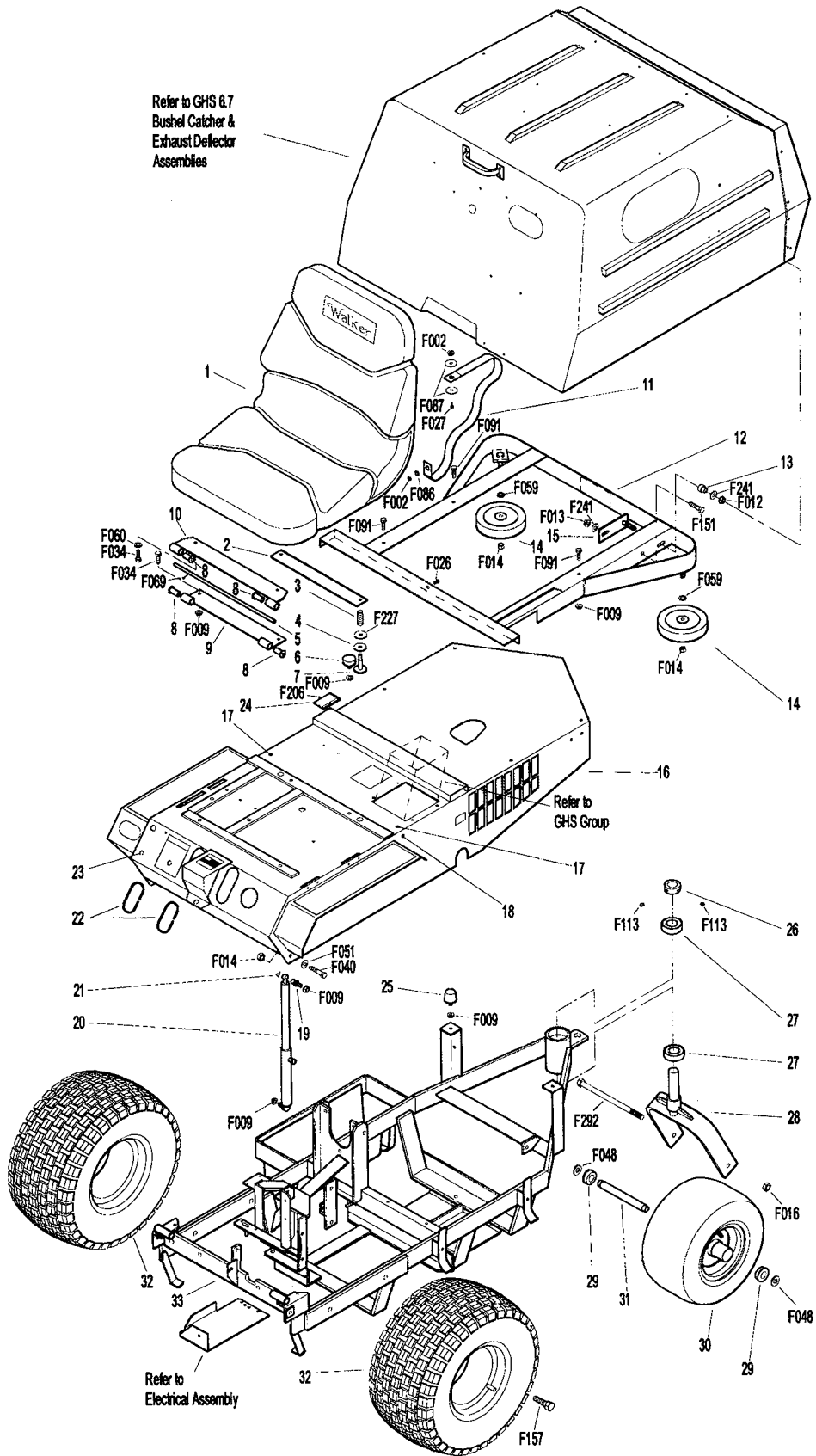
BODY / CHASSIS ASSEMBLY (GHS MODELS)

ITEM NO.	PART NO.	DESCRIPTION	NO. REQ'D	ITEM NO.	PART NO.	DESCRIPTION	NO. REQ'D
Seat Assembly				32	5070-5	Wheel & Tire Assembly (18 x 8.50-8)	2
					5070-2	Tire Only (18 x 8.50-8)	*
1	5103	Seat	1		5070-4	Wheel Only (8 x 7)	*
2	7203	Seat Spring Plate	1		5033-2	Wheel & Tire Assembly (18 x 6.50-8)	***
3	7223	Compression Spring (1/2 x 1)	2		5030-2	Tire Only (18 x 6.50-8)	*
4	7846	Rubber Washer (3/8 ID x 1-1/4 OD x 1/8)	2		5031-2	Wheel Only (8 x 5.5)	*
5	7205-5	Pivot Pin	1		5030-4	Tire Tube, Optional (18 x 8.50-8)	*
6	7845	Rubber Bumper (1.375 OD x .63)	2	33	6300-2	Chassis Frame	1
7	7204	Shoulder Bolt, Seat Mount	2	Fasteners			
8	5103-2	Pivot Bushing	4		F002	10-24 Keps Nut	2
9	7205-1	Lower Plate, Seat Hinge	1		F009	5/16-18 Whiz Locknut	12
10	7205-2	Upper Plate, Seat Hinge	1		F012	3/8-16 Keps Nut	2
	7205	Seat Hinge Assembly (Includes Items # 5, 8, 9, 10 & F069)	*		F013	3/8-16 Whiz Locknut	2
Rear Bumper Assembly (GHS Models Only)**					F014	3/8-16 Whiz Locknut	2
11	5566	Tilt Stop Strap	1		F016	3/8-16 ESNA Nut	4
12	5516	Rear Bumper (6.7)	1		F016	1/2-13 Self-Locking Nut	1
13	7516-5	Catcher Pivot Bushing	2		F026	10-24 x 1/2 PPHMS	1
14	5162	Roller Wheel (5")	2		F027	10-24 x 5/8 PPHMS	1
15	7517-2	Catcher Pivot Plate	2		F034	5/16-18 x 3/4 Hex Bolt	4
Body Assembly					F040	3/8-16 x 1-1/2 Hex Bolt	2
16	6100	Welded Body	1		F048	1/2 SAE Washer	2
17	5989-3	Dome Plug (5/16)	2		F051	3/8 SAE Washer	2
18	5989-4	Dome Plug (3/8)	2		F059	3/8 Wave Spring Washer	2
19	7146	13 mm Ball Stud	2		F060	AN960516 Washer	2
20	5145	Gas Spring Assembly (Includes Items # 19 & 21)	1		F069	3/32 x 1/2 Cotter Pin	2
21	7147	Spring Clip	2		F086	#10 SAE Washer	1
22	5180	Edge Molding, Lever Opening	2		F087	#10 x 7/8 Fender Washer	2
23	5989-5	Dome Plug (7/16)	1		F091	5/16-18 x 5/8 Hex Bolt	4
24	NS	Body ID Plate	1		F113	5/16-18 x 5/16 Set Screw	2
Chassis Assembly					F151	3/8-16 x 7/8 Hex Bolt	2
25	5845	Rubber Bumper (1.50 OD x 1.25)	2		F157	1/2-20 x 1-1/4 Wheel Lug Bolt	8
26	5267-1	Retainer Collar (1") (Includes Item # F113)	1		F206	#2 x 3/16 Drive Pin	2
27	5270-1	Pivot Bearing	2		F227	3/8 x 1-1/4 x 1/8 Plastic Washer	2
28	5420-2	Tail Wheel Fork	1		F241	.375 x .875 x .10 Washer	4
29	5037-1	Bearing	2		F292	1/2-13 x 8-1/2 Hex Bolt GR 2	1
30	5035	Tail Wheel & Tire Assembly (13 x 6.50-6)	1	* Service Part Only			
	5035-1	Tire Only (13 x 6.50-6)	*	** Rear Bumper Assembly for SD Models is not shown here. Refer to Body Assembly (SD Models), Page 6.			
	5036	Wheel & Hub Only (6 x 4.5)	*	*** May be ordered as a factory-installed option or for dealer installation. Narrow Drive Tires are used when installing a 36" Deck. Contact your Walker dealer.			
31	5038-1	Axle Spacer Tube (6-5/8)	1	NOTE: Decals for this assembly are not shown here. Refer to Tractor Decals (Page 2) for Decal listing and placement information.			

Use only genuine **Walker** replacement parts.

Effective Date 02-07-97

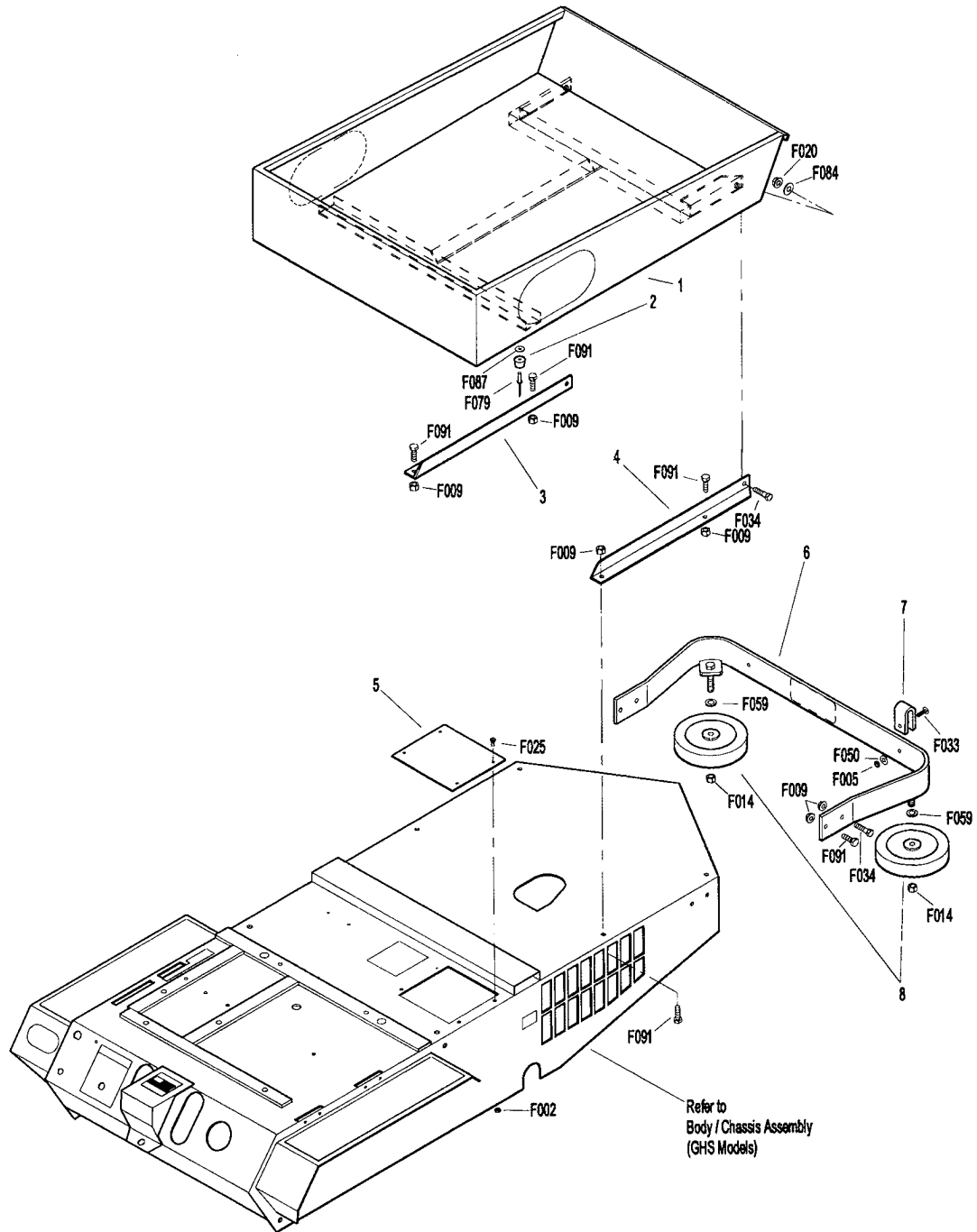
BODY / CHASSIS ASSEMBLY (GHS MODELS)



BODY ASSEMBLY (SD MODELS)

ITEM NO.	PART NO.	DESCRIPTION	NO. REQ'D	ITEM NO.	PART NO.	DESCRIPTION	NO. REQ'D
Utility Bed Assembly				F020		5/16-18 ESNA Nut	2
				F025		10-24 x 3/8 PPHMS	4
1	5650	Utility Bed	1	F033		1/4-20 x 1 PTH Bolt	2
2	5588	Rubber Bumper (.75 OD x .50)	3	F034		5/16-18 x 3/4 Hex Bolt	4
3	5651	Utility Bed Mount, RH	1	F050		1/4 SAE Washer	2
4	5652	Utility Bed Mount, LH	1	F059		3/8 Wave Spring Washer	2
Rear Bumper Assembly (SD Models Only)*				F079		A/A66D Aluminum Pop Rivet	3
5	5153-2	Cover Plate	1	F084		5/16 Wave Spring Washer	2
6	5112	Rear Bumper	1	F087		#10 x 7/8 Fender Washer	3
7	5161	Bumper Pad	2	F091		5/16-18 x 5/8 Hex Bolt	6
8	5162	Roller Wheel (5")	2	* Rear Bumper Assembly for GHS Models is not shown here. Refer to Body / Chassis Assembly (GHS Models), Page 4.			
Fasteners				NOTE: Refer to Body / Chassis Assembly (GHS Models), Page 4, for all common parts used on both models.			
	F002	10-24 Keps Nut	4	NOTE: Decals for this assembly are not shown here. Refer to Tractor Decals (Page 2) for Decal listing and placement information.			
	F005	1/4-20 ESNA Nut	2				
	F009	5/16-18 Whiz Locknut	8				
	F014	3/8-16 ESNA Nut	2				

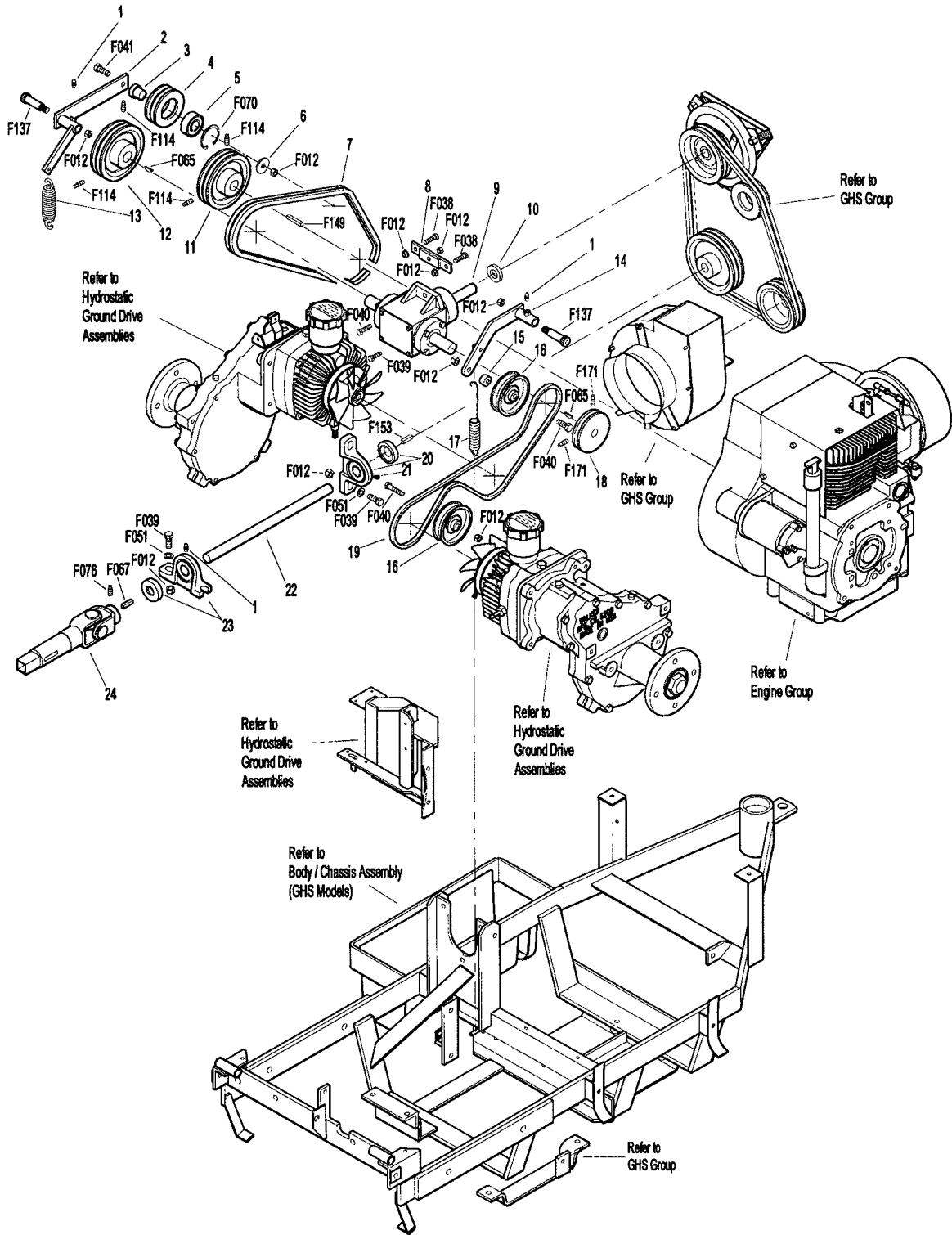
BODY ASSEMBLY (SD MODELS)



MAIN COMPONENT POWER TRANSMISSION (GHS MODELS)

ITEM NO.	PART NO.	DESCRIPTION	NO. REQ'D	ITEM NO.	PART NO.	DESCRIPTION	NO. REQ'D
Engine PTO Assembly				PTO Drive Shaft Assembly			
1	5830	Grease Fitting	3	20	5263	Pillowblock Bearing (Includes Item # 21)	1
2	6350	Engine Belt Tightener Arm (Includes Item # 1)	1	21	5830-4	Grease Fitting (90 Degree)	1
3	6245-1	Hub, Idler Pulley Bearing	1	22	5274	PTO Drive Shaft	1
4	6245	Idler Pulley (3 / 3V)	1	23	5264	Pillowblock Bearing, Short Mount (Includes Item # 1)	1
5	5265	Bearing (3/4)	1	24	5275	Universal Joint Tube Assembly (Includes Item # F076)	1
6	5841	Retainer Washer	1				
7	6230-2	Engine/PTO Belt (3VX425 matched set of 2)	1	Fasteners			
8	6050-1	Tee Gearbox Mount Bar	1				
9	6050	Tee Gearbox	1				
10	5843-1	Clutch Spacer Washer (.750 ID x 1.375 OD) (For Tee Gearbox Shaft)	1	F012	3/8-16 Keps Nut		13
11	6240-1	Engine Pulley (4-1/2 / 3V) (Includes Item # F114)	1	F038	3/8-16 x 1 Hex Bolt		2
12	6240-2	Drive Pulley (4-1/2 / 3V) (Includes Item # F114)	1	F039	3/8-16 x 1-1/4 Hex Bolt		5
13	5743	Extension Spring (1 x 5-1/4)	1	F040	3/8-16 x 1-1/2 Hex Bolt		3
				F041	3/8-16 x 1-3/4 Hex Bolt		1
				F051	3/8 SAE Washer		4
				F065	3/16 x 3/4 Woodruff Key (#10)		2
				F067	3/16 x 3/16 x 1 Key		1
				F070	1-3/4 Internal Snap Ring		1
				F076	3/8-16 x 5/8 SQH Set Screw		1
				F114	5/16-18 x 5/8 SQH Set Screw		4
				F137	3/8-16 x 1/2 x 2 SHL Bolt		2
				F149	1/4 x 1/4 x 1-1/2 Key		1
				F153	3/16 x 3/16 x 1-1/4 Key		1
				F171	5/16-18 x 3/8 Set Screw		2
Transmission Drive Assembly				NOTE: Decals for this assembly are not shown here. Refer to Tractor Decals (Page 2) for Decal listing and placement information.			
14	6325	Belt Tightener Arm (Includes Item # 1)	1				
15	6325-2	Spacer Bushing (5/16)	1				
16	5245	Idler Pulley (3")	2				
17	5219	Extension Spring (3/4 x 6-3/4)	1				
18	5236-1	Transmission Drive Pulley (3-1/4 / A) (Includes Item # F171)	1				
19	6232	Ground Drive Belt (#6845)	1				

MAIN COMPONENT POWER TRANSMISSION (GHS MODELS)



MAIN COMPONENT POWER TRANSMISSION (SD MODELS)

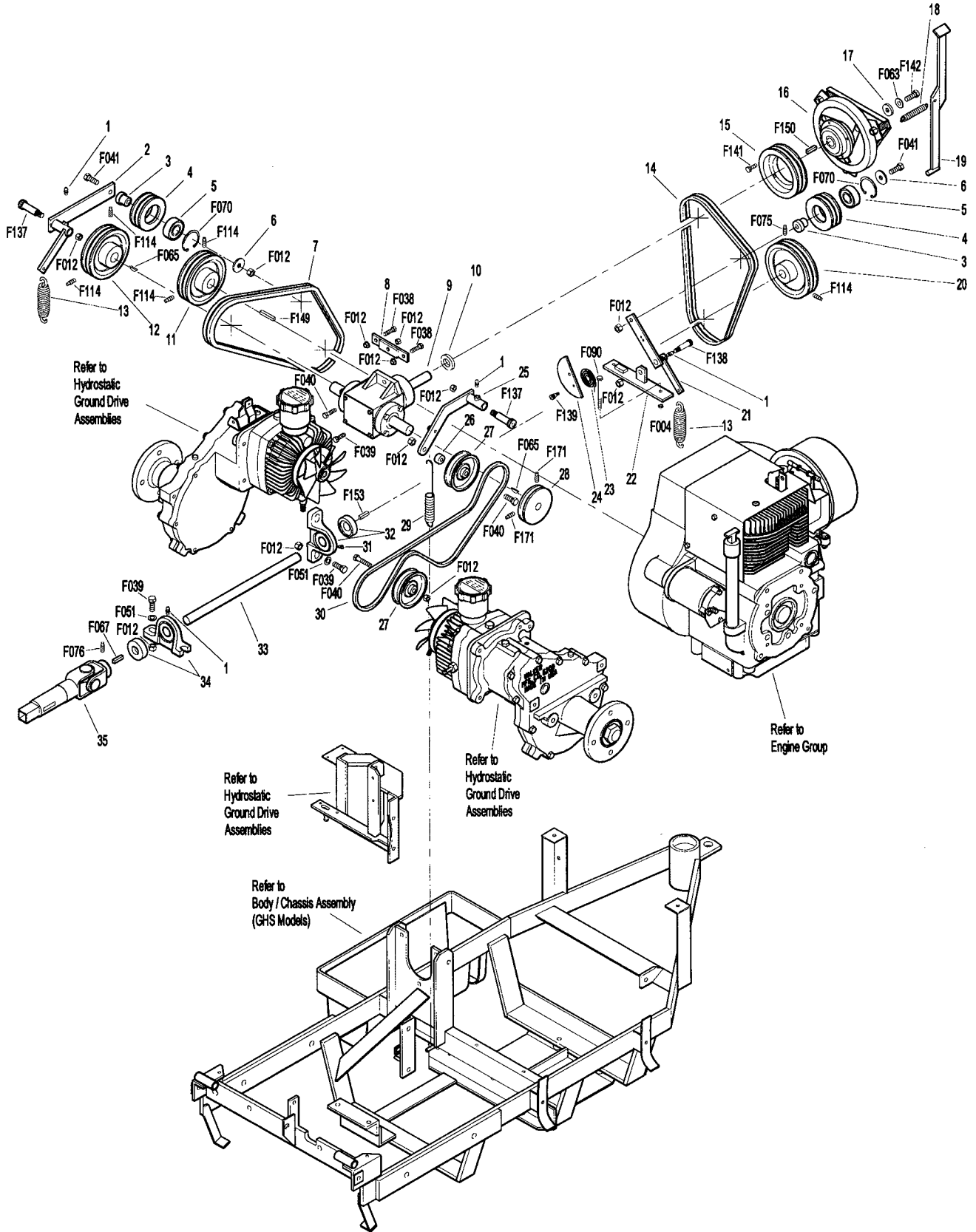
ITEM NO.	PART NO.	DESCRIPTION	NO. REQ'D	ITEM NO.	PART NO.	DESCRIPTION	NO. REQ'D
Engine PTO Assembly				28	5236-1	Transmission Drive Pulley (3-1/4 / A) (Includes Item # F171)	1
1	5830	Grease Fitting	4	29	5219	Extension Spring (3/4 x 6-3/4)	1
2	6350	Engine Belt Tightener Arm (Includes Item # 1)	1	30	6232	Ground Drive Belt (#6845)	1
3	6245-1	Hub, Idler Pulley Bearing	2	PTO Drive Shaft Assembly			
4	6245	Idler Pulley (3 / 3V)	2	31	5830-4	Grease Fitting (90 Degree)	1
5	5265	Bearing (3/4)	2	32	5263	Pillowblock Bearing (Includes Item # 31)	1
6	5841	Retainer Washer	2	33	5274	PTO Drive Shaft	1
7	6230-2	Engine/PTO Belt (3VX425 matched set of 2)	1	34	5264	Pillowblock Bearing, Short Mount (Includes Item # 1)	1
8	6050-1	Tee Gearbox Mount Bar	1	35	5275	Universal Joint Tube Assembly (Includes Item # F076)	1
9	6050	Tee Gearbox	1	Fasteners			
10	5843-1	Clutch Spacer Washer (.750 ID x 1.375 OD) (For Tee Gearbox Shaft)	1	F004	1/4-20 Keps Nut		2
11	6240-1	Engine Pulley (4-1/2 / 3V) (Includes Item # F114)	1	F012	3/8-16 Keps Nut		15
12	6240-2	Drive Pulley (4-1/2 / 3V) (Includes Item # F114)	1	F038	3/8-16 x 1 Hex Bolt		2
13	5743	Extension Spring (1 x 5-1/4)	2	F039	3/8-16 x 1-1/4 Hex Bolt		5
Clutch / PTO Assembly				F040	3/8-16 x 1-1/2 Hex Bolt		3
14	6231	Drive Belt (3VX355)	2	F041	3/8-16 x 1-3/4 Hex Bolt		2
15	6242	Clutch Pulley (4-1/2 / 3V)	1	F051	3/8 SAE Washer		4
16	6410	Electric Clutch	1	F063	3/8 Internal Star Lock Washer		1
17	5843-2	Clutch Spacer Washer (For F142 Bolt at Clutch)	1	F065	3/16 x 3/4 Woodruff Key (#10)		2
18	5222	Extension Spring (1/2 x 3-1/4)	1	F067	3/16 x 3/16 x 1 Key		1
19	6411	Clutch Restraint Strut	1	F070	1-3/4 Internal Snap Ring		2
20	6240-3	PTO Drive Pulley (5 / 3V) (Includes Items # F075 & F114)	1	F075	5/16-18 x 1/2 SQH Set Screw		1
PTO Belt Tightener Assembly				F076	3/8-16 x 5/8 SQH Set Screw		1
21	6345	PTO Belt Tightener Arm (Includes Item # 1)	1	F090	1/4-20 x 2-1/2 Hex Bolt		2
22	6346-2	PTO Belt Tightener Mount (SD)	1	F114	5/16-18 x 5/8 SQH Set Screw		5
23	6235	Spring, Belt Tension Cam	1	F137	3/8-16 x 1/2 x 2 SHL Bolt		2
24	6236	Belt Tension Cam, PTO	1	F138	3/8-16 x 1/2 x 1-1/2 SHL Bolt		1
Transmission Drive Assembly				F139	1/4-20 x 5/16 x 1/4 SHL Bolt		1
25	6325	Belt Tightener Arm (Includes Item # 1)	1	F141	1/4-20 x 3/4 SHC Screw		4
26	6325-2	Spacer Bushing (5/16)	1	F142	3/8-24 x 1-1/2 Hex Bolt		1
27	5245	Idler Pulley (3")	2	F149	1/4 x 1/4 x 1-1/2 Key		1
				F150	3/16 x 3/16 x 2-1/4 Key		1
				F153	3/16 x 3/16 x 1-1/4 Key		1
				F171	5/16-18 x 3/8 Set Screw		2

NOTE: Decals for this assembly are not shown here. Refer to Tractor Decals (Page 2) for Decal listing and placement information.

Use only genuine **Walker** replacement parts.

Effective Date 02-07-97

MAIN COMPONENT POWER TRANSMISSION (SD MODELS)



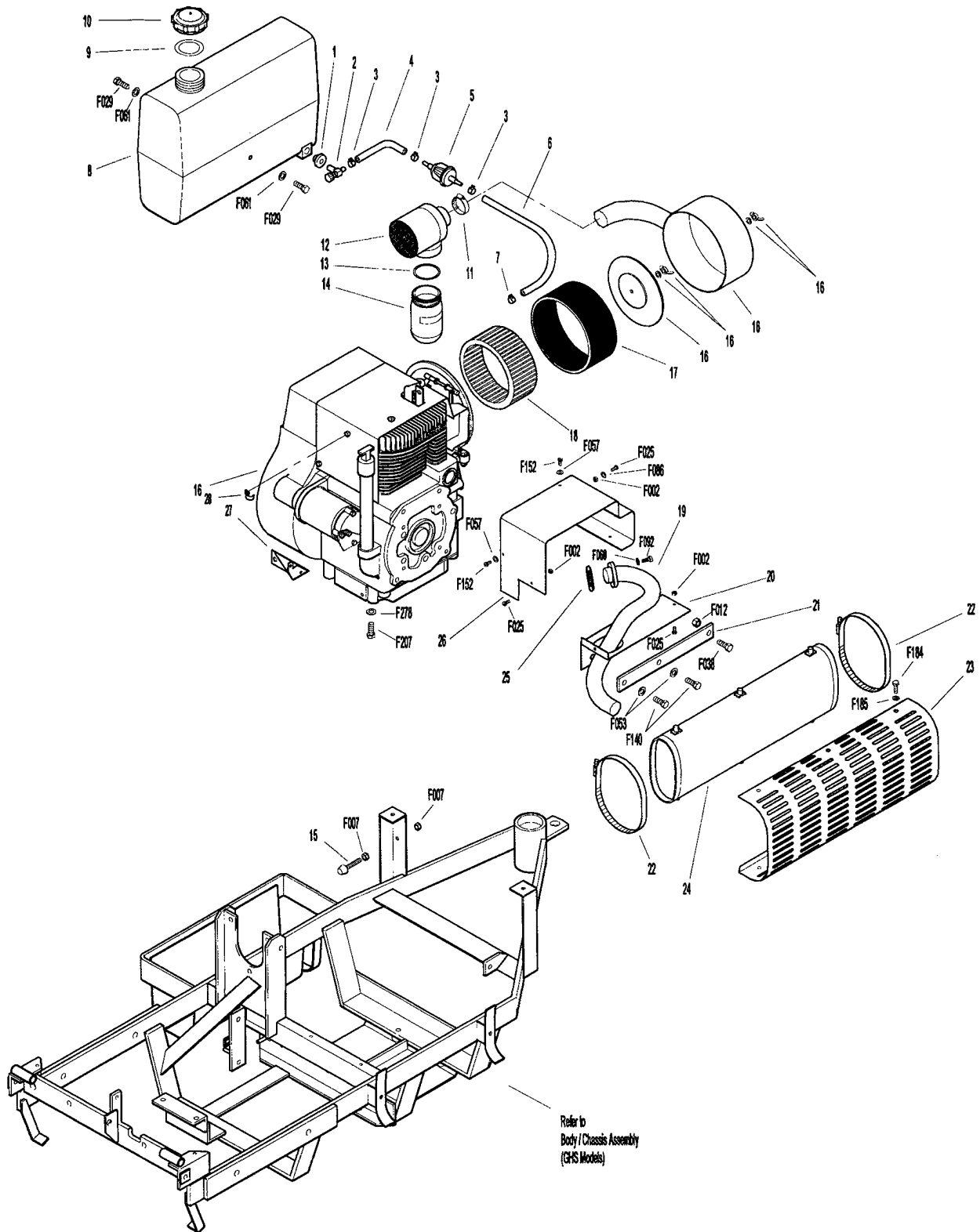
ENGINE GROUP

ITEM NO.	PART NO.	DESCRIPTION	NO. REQ'D	ITEM NO.	PART NO.	DESCRIPTION	NO. REQ'D
Fuel Tank Assembly				22	5897	Band Clamp (3-1/8 to 5)	2
1	5083-1	Bushing, Rubber	*	23	6013-1	Muffler Heat Shield	1
2	5083	Fuel Shut-Off Valve & Filter	*	24	6013	Muffler	1
3	5879-3	Hose Clamp (1/2)	3	25	6048	Exhaust Gasket	1
4	6015-1	Fuel Line, Tank (1/4 x 4)	1	26	6080-1	Engine Air Duct, Upper Half	1
5	5020	Fuel Filter	1	27	6012	Starter Bracket, Kohler M16AQS	1
6	6015-2	Fuel Line, Pump In (1/4 x 11)	1	28	6835	Clamp, 7/16 Half Clamp	1
7	5879-2	Hose Clamp (7/16 Silver)	1	Fasteners			
8	6046	Fuel Tank, 3.0 gal., Gas (Includes Items # 1, 2, 9 & 10)	1	F002	10-24 Keps Nut	3	
9	5082-2	Fuel Cap Seal	*	F007	5/16-18 Jam Nut	2	
10	5082	Fuel Tank Cap (Includes Item # 9)	*	F012	3/8-16 Keps Nut	1	
Precleaner Assembly				F025	10-24 x 3/8 PPHMS	3	
11	6011-10	Hose Clamp (3/4 to 1-1/4)	1	F029	1/4-20 x 1/2 Hex Bolt	2	
12	6011-0	Precleaner Housing (Includes Item #13)	1	F038	3/8-16 x 1 Hex Bolt	1	
	6011-11	Precleaner Assembly (Includes Items # 11, 12, 13 & 14)	*	F053	7/16 Internal Star Lock Washer	2	
13	6016-1	Rubber Gasket	1	F057	#10 Split Lock Washer	2	
14	6016-2	Glass Collection Jar	1	F060	AN960516 Washer	2	
15	6011-9	Threaded Rubber Stop	1	F061	1/4 Internal Star Lock Washer	2	
Engine & Exhaust Assemblies				F086	#10 SAE Washer	1	
16	NS	16 HP Engine (Kohler M16AQS 711562)	1	F092	5/16-18 x 3/4 SHC Screw	2	
17	NS	Foam Precleaner (Kohler 45-083-01)	1	F140	7/16-14 x 1 Hex Bolt	2	
18	NS	Engine Air Filter (Kohler 45-083-02)	1	F152	10-32 x 1/4 Indented Hex MS	2	
19	6047	Exhaust Pipe Assembly	1	F184	1/4-20 x 1/2 Hex Bolt SS	6	
20	6080-2	Engine Air Duct, Lower Half	1	F185	1/4 Internal Star Lock Washer, SS	6	
21	6340	Engine Brace	1	F207	3/8-16 x 1-1/4 GR 8 Bolt	4	
				F278	3/8 Split Lock Washer	4	
				* Service Part Only			
				NOTE: Decals for this assembly are not shown here. Refer to Tractor Decals (Page 2) for Decal listing and placement information.			

Use only genuine **Walker** replacement parts.

Effective Date 02-07-97

ENGINE GROUP



HYDROSTATIC GROUND DRIVE ASSEMBLIES

ITEM NO.	PART NO.	DESCRIPTION	NO. REQ'D	ITEM NO.	PART NO.	DESCRIPTION	NO. REQ'D
Transmission Lockout Assembly				Transmission Repair Parts*			
1	5027	Lockout Mount	2	23	5025-5	Input Shaft	*
	5028-3	Transmission Lockout Assembly (Includes Items # 1, 2, 3, 4, F023 & F027)	*	24	5025-8	Bearing, Input	*
2	5028	Lockout Lever	2	25	5025-7	Snap Ring	*
3	5057	Lockout Cam (Includes Item # F081)	2	26	5025-2	Seal, Input Shaft	*
4	5847	Plastic Tip, Lockout Lever	2	27	5022	Reservoir to Casting Gasket	*
				28	5024	Reservoir Cap and Gasket	*
				29	5023	Transmission Reservoir Kit	*
				30	5023-1	Rubber Bladder	*
				31	5025-6	O-Ring & Plug Assembly	*
				32	5025-3	Seal, Control Shaft	*
Ground Drive Assemblies				Fasteners			
5	6209	Bridge Assembly	1	F023	10-24 ESNA Nut		2
6	6243-2	Hydro Fan, CCW	1	F027	10-24 x 5/8 PPHMS		2
7	5026	Hydrostatic Drive, CW (700-031)	1	F036	1/4-20 x 1/2 SBH Screw		2
8	6206	Pressure Relief Valve	*	F038	3/8-16 x 1 Hex Bolt		4
9	6200-5	Gear Axle Drive Assembly (Includes Items # 8 & F259)	2	F040	3/8-16 x 1-1/2 Hex Bolt		4
10	6233-1	Pinion Gear	2	F043	3/8-16 x 3 Hex Bolt		8
11	6234	Spacer, Pinion Gear	2	F053	7/16 Internal Star Lock Washer		4
12	6201	O-Ring Seal	2	F063	3/8 Internal Star Lock Washer		16
13	6244	Hydro Pulley (4 / A)	2	F064	1/8 x 1/2 Woodruff Key (#3)		4
14	6243-1	Hydro Fan, CW	1	F081	A/A45D Aluminum Pop Rivet		2
15	5025	Hydrostatic Drive, CCW (700-032)	1	F160	External Snap Ring (.669 Shaft)		2
				F178	1/4 x 1 Fender Washer		2
				F194	7/16 x 1-1/4 x 1-8 Washer		2
				F200	7/16-20 x 3 GR 8 Bolt		2
				F205	5/16-18 x 1/4 Set Screw, Knurl Point		4
				F244	7/16-20 x 3/4 Hex Bolt		2
				F259	5/8-18 x 1 Hex Bolt GR 5 - Plated		2**
Deck Support Arm Assemblies				* Service Part Only			
16	6430-10	Outboard Mount, LH	1	** With Installation of 7400 Parking Brake Option, this part is replaced by P/N 7403 (Plunger Bushing, Gear Axle).			
17	6430-2	Deck Support Arm, LH (Includes Item # 21)	1				
18	5775-2	Hitch Pin (#6)	2				
19	6430-1	Deck Support Arm, RH (Includes Item # 21)	1				
20	6430-9	Outboard Mount, RH	1				
21	5830	Grease Fitting	2				
22	6840-1	Support Arm Bushing	2				

NOTE: Decals for this assembly are not shown here. Refer to Tractor Decals (Page 2) for Decal listing and placement information.

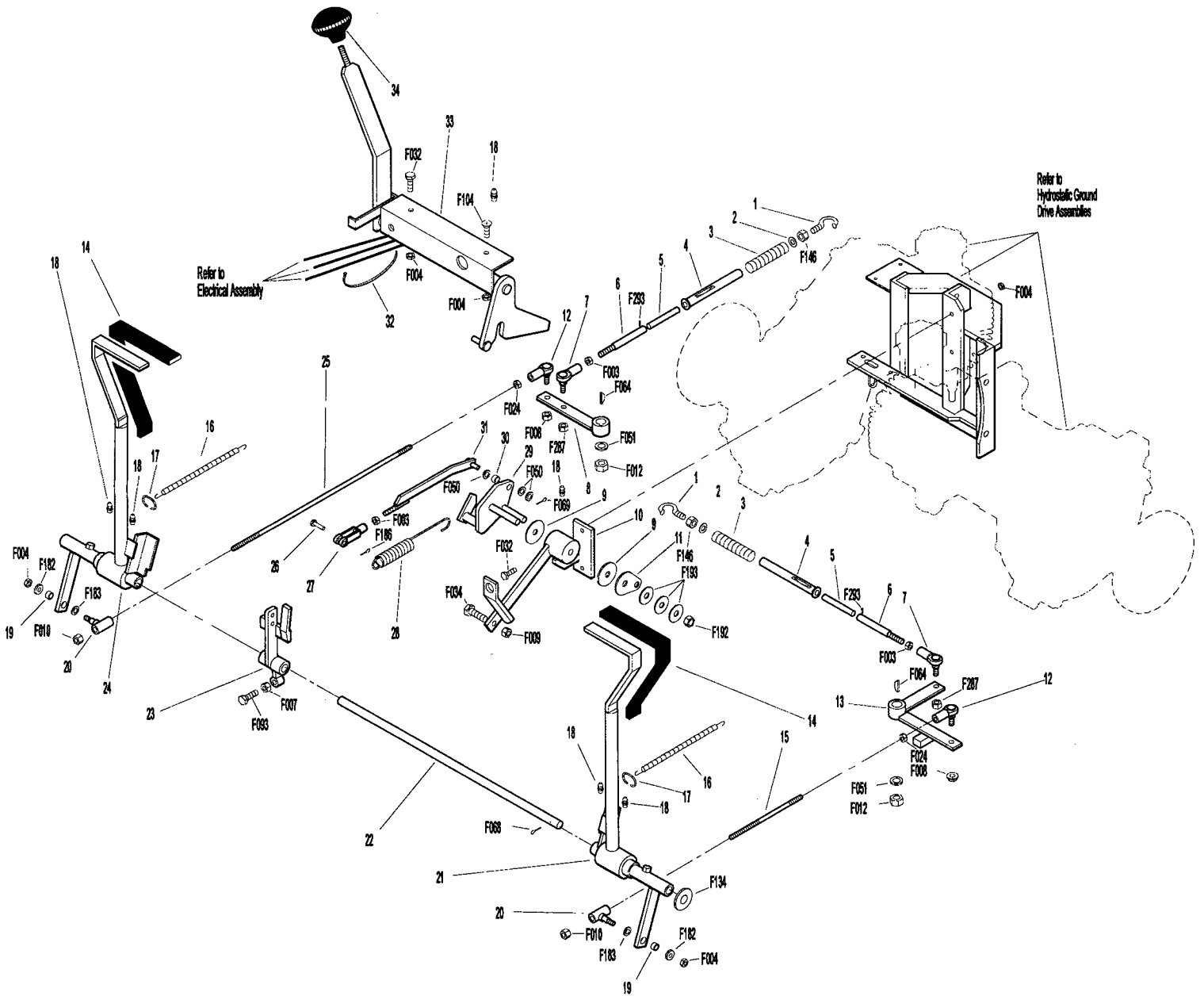
STEERING CONTROL ASSEMBLIES

ITEM NO.	PART NO.	DESCRIPTION	NO. REQ'D	ITEM NO.	PART NO.	DESCRIPTION	NO. REQ'D
Transmission Spring Assembly				29	5142-2	FSC Actuator Cam	1
1	5197	J-Bolt	2	30	5172	Bearing, Nylon (.255 ID x .379 OD x .250)	1
2	5193	Washer (.750 ID x 1.00 OD x .085)	2	31	5173	FSC Actuator Rod	1
3	5195	Compression Spring (1 x 5-1/8)	2	32	5975-3	Cable Tie (50# x 7")	1
4	5191	Spring Slide	2	33	7170	FSC Lever Assembly (Includes Item # 18)	1
5	5194	Plunger Sleeve	2	34	5862	FSC Knob	1
6	5192	Spring Plunger	2	Fasteners			
7	5552	Ball Joint (1/4-28)	2	F003	1/4-28 Hex Nut		3
	5199	Transmission Spring Assembly (Includes Items # 1-7, F003, F146, F287 & F293)	*	F004	1/4-20 Keps Nut		6
Steering Lever & FSC Assemblies				F007	5/16-18 Jam Nut		1
8	5212	Transmission Control Arm, RH	1	F008	5/16-24 Keps Nut		2
9	5141	FSC Friction Washer	2	F009	5/16-18 Whiz Locknut		1
10	5140	FSC Friction Body (Includes Item # 18)	1	F010	5/16-24 ESNA Nut		2
11	5142-5	FSC Key	1	F012	3/8-16 Keps Nut		2
	5140-3	FSC Control Assembly (Includes Items # 9, 10, 11, 18, 29, F192 & F193)	*	F024	5/16-24 Jam Nut		2
12	5214-2	Ball Joint (5/16-24), Nylon Lined	2	F032	1/4-20 x 3/4 Hex Bolt		3
13	5212-2	Transmission Control Arm, LH	1	F034	5/16-18 x 3/4 Hex Bolt		1
14	5850	Handle Grip, Foam	2	F050	1/4 SAE Washer		3
15	5213-2	Control Rod, LH (6")	1	F051	3/8 SAE Washer		2
16	5223	Extension Spring (1/4 x 5-1/2)	2	F064	1/8 x 1/2 Woodruff Key (#3)		2
17	5450	D-Clip	2	F068	1/8 x 1 Cotter Pin		1
18	5830	Grease Fitting	6	F069	3/32 x 1/2 Cotter Pin		1
19	5214-1	Bearing, Steering Lever Actuator	2	F093	5/16-18 x 1 Hex Bolt		1
20	5463	Steering Lever Actuator	2	F104	1/4-20 x 3/4 PFH Bolt		1
21	5451-2	Steering Lever, LH (Includes Item # 18)	1	F134	AN960816L Washer		3**
22	5217	Pivot Pin, Steering Lever	1	F146	1/4-20 Jam Nut		2
23	5470-1	Speed Control Stop	1	F182	1/4 x 5/8 x 1/8 Washer		2
24	5450-2	Steering Lever, RH (Includes Item # 18)	1	F183	.312 x .700 x .074 Washer		2
25	5213-1	Control Rod, RH (15")	1	F186	5/64 x 1/2 Cotter Pin		1
26	5281-5	Clevis Pin (1/4 x 0.80)	1	F192	3/8-24 Self-Locking Nut		1
27	5280	Clevis (1/4)	1	F193	3/8 Belleville Spring Washer		3
28	5219	Extension Spring (3/4 x 6-3/4)	1	F287	1/4-28 Keps Nut		2
				F293	1/8 X 1 Roll Pin		2
				* Service Part Only			
				** Average number used per assembly. Adjust as required.			
NOTE: Decals for this assembly are not shown here. Refer to Tractor Decals (Page 2) for Decal listing and placement information.							

Use only genuine **Walker** replacement parts.

Effective Date 02-07-97

STEERING CONTROL ASSEMBLIES



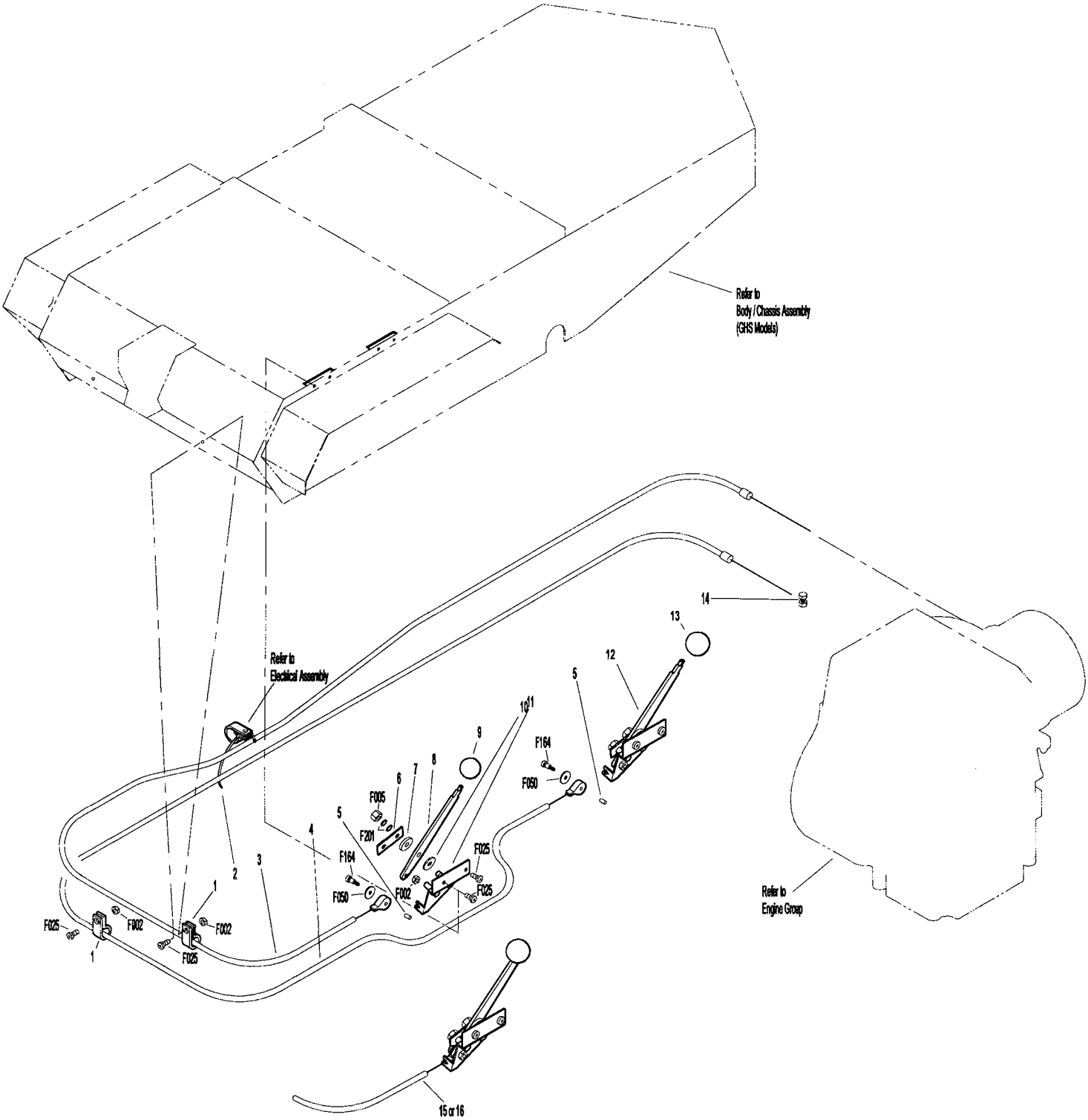
THROTTLE & CHOKE CONTROL ASSEMBLIES

ITEM NO.	PART NO.	DESCRIPTION	NO. REQ'D	ITEM NO.	PART NO.	DESCRIPTION	NO. REQ'D
Throttle & Choke Control Assemblies				15	6108	Throttle Control and Cable Assembly (Complete Control and Cable Assembly)	*
1	5832	Cable Clamp (1/2)	2	16	6109	Choke Control and Cable Assembly (Complete Control and Cable Assembly)	*
2	5975-2	Cable Tie (30# x 6")	1				
3	5108-3	Throttle Cable	1				
4	5108-4	Choke Cable	1				
5	5172	Nylon Bearing	2	Fasteners			
6	5108-7	Control Lock Tab	2		F002	10-24 Keps Nut	8
7	5108-10	Friction Washer (.125)	2		F005	1/4-20 ESNA Nut	2
8	5108-1	Control Lever, Throttle & Choke	2		F025	10-24 x 3/8 PPHMS	6
9	5108-5	Throttle Control Knob, Red	1		F050	1/4 SAE Washer	2
10	5108-11	Friction Washer (.062)	2		F164	10-24 x 1/4 x 3/8 SHL Bolt	2
11	5108-8	Control Bracket	2		F201	1/4 Belleville Spring Washer	4
12	7108	Control Assembly, Throttle and Choke	*				
13	5108-6	Choke Control Knob, Black	1	*	Service Part Only		
14	NS	Wire Nut (Kohler)	1				

Use only genuine **Walker** replacement parts.

Effective Date 02-07-97

THROTTLE & CHOKE CONTROL ASSEMBLIES



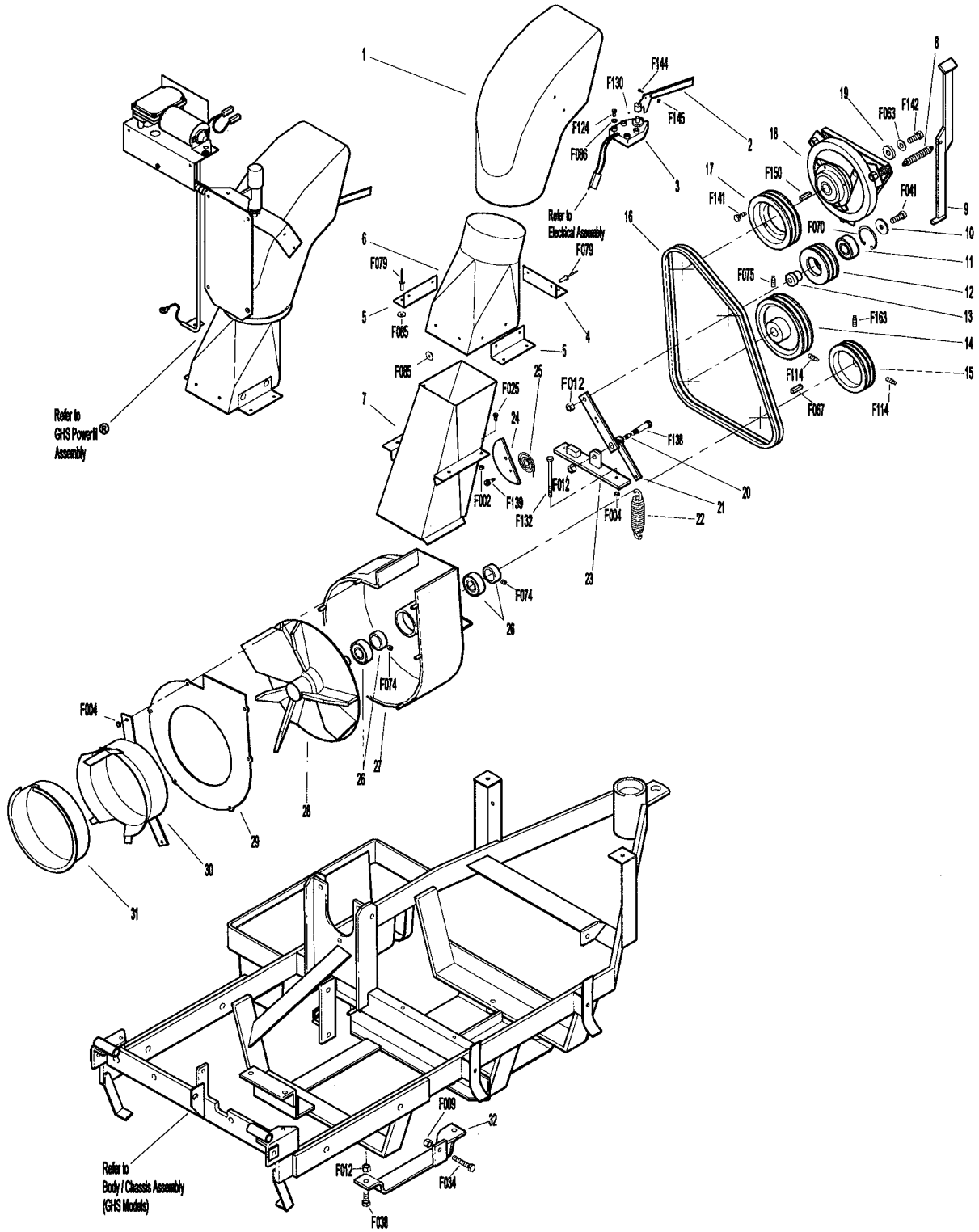
GHS GROUP

ITEM NO.	PART NO.	DESCRIPTION	NO. REQ'D	ITEM NO.	PART NO.	DESCRIPTION	NO. REQ'D
Delivery Chute Assembly				28	6545	Blower Wheel (10")	1
1	5515-2	Elbow Delivery Spout	1	29	6525-2	Face Plate (10" Blower)	1
2	5594	Vane Assembly, Grass Pak Switch (Includes Items # F130, F144 & F145)	1	30	6526	Blower Intake Tube (6-1/2 x 2-1/2)	1
3	5592	Grass Pak Switch Assembly	1	31	5595-2	Intake Cover (10" Blower)	**
4	5578	Rear Clip, Chute Mount	1	32	6528	Skid Bar (10" Blower)	1
5	5577	Side Clip, Chute Mount	2	Fasteners			
6	5511-3	Delivery Chute Assembly, (6.7) (Includes Items # 4, 5, F079 & F085)	1	F002	10-24 Keps Nut		4
7	6530	Body Chute (10")	1	F004	1/4-20 Keps Nut		8
Clutch / PTO Assembly				F009	5/16-18 Whiz Locknut		1
8	5222	Extension Spring (1/2 x 3-1/4)	1	F012	3/8-16 Keps Nut		4
9	6411	Clutch Restraint Strut	1	F025	10-24 x 3/8 PPHMS		4
10	5841	Retainer Washer	1	F034	5/16-18 x 3/4 Hex Bolt		1
11	5265	Bearing (3/4)	1	F038	3/8-16 x 1 Hex Bolt		2
12	6245	Idler Pulley (3 / 3V)	1	F041	3/8-16 x 1-3/4 Hex Bolt		1
13	6245-1	Hub, Idler Pulley Bearing	1	F063	3/8 Internal Star Lock Washer		1
14	6240-3	PTO Drive Pulley (5 / 3V) (Includes Items # F075 & F114)	1	F067	3/16 x 3/16 x 1 Key		1
15	6239	Blower Pulley (4 / 3V) (Includes Items # F114 & F163)	1	F070	1-3/4 Internal Snap Ring		1
16	6230-2	Engine/PTO Belt (3VX425 matched set of 2)	1	F074	1/4-20 x 3/8 Set Screw		2
17	6242	Clutch Pulley (4-1/2 / 3V)	1	F075	5/16-18 x 1/2 SQH Set Screw		1
18	6410	Electric Clutch	1	F079	A/A66D Aluminum Pop Rivet		14
19	5843-2	Clutch Spacer Washer (For F142 Bolt at Clutch)	1	F085	3/16 Rivet Backup Washer		8
PTO Belt Tightener Assembly				F086	#10 SAE Washer		4
20	5830	Grease Fitting	1	F114	5/16-18 x 5/8 SQH Set Screw		2
21	6345	PTO Belt Tightener Arm (Includes Item # 20)	1	F124	10-32 x 3/8 Taptite Machine Screw		4
22	5743	Extension Spring, (1 x 5-1/4)	1	F130	10-24 x 3/16 Set Screw		1
23	6346-8	PTO Belt Tightener Mount (GHS)	1	F132	1/4-20 x 2-3/4 Hex Bolt		2
24	6236	Belt Tension Cam, PTO	1	F138	3/8-16 x 1/2 x 1-1/2 SHL Bolt		1
25	6235	Spring, Belt Tension Cam	1	F139	1/4-20 x 5/16 x 1/4 SHL Bolt		1
Blower Assembly				F141	1/4-20 x 3/4 SHC Screw		4
26	5268	Bearing (3/4), Includes Locking Collar	2	F142	3/8-24 x 1-1/2 Hex Bolt		1
27	6543	Housing (10" Blower)	1	F144	4-40 x 1/4 PPHMS		1
	6542	Complete Blower Assembly	*	F145	4-40 Keps Nut		1
				F150	3/16 x 3/16 x 2-1/4 Key		1
				F163	5/16-18 x 3/4 SQH Set Screw		1
				* Service Part Only			
				** Plugs blower when not in use. Furnished only with Mulching Decks, SD Decks used on a GHS Tractor, Rotary Broom Attachment and Snowblower Attachment.			
				NOTE: Decals for this assembly are not shown here. Refer to Tractor Decals (Page 2) for Decal listing and placement information.			

Use only genuine **Walker** replacement parts.

Effective Date 02-07-98

GHS GROUP



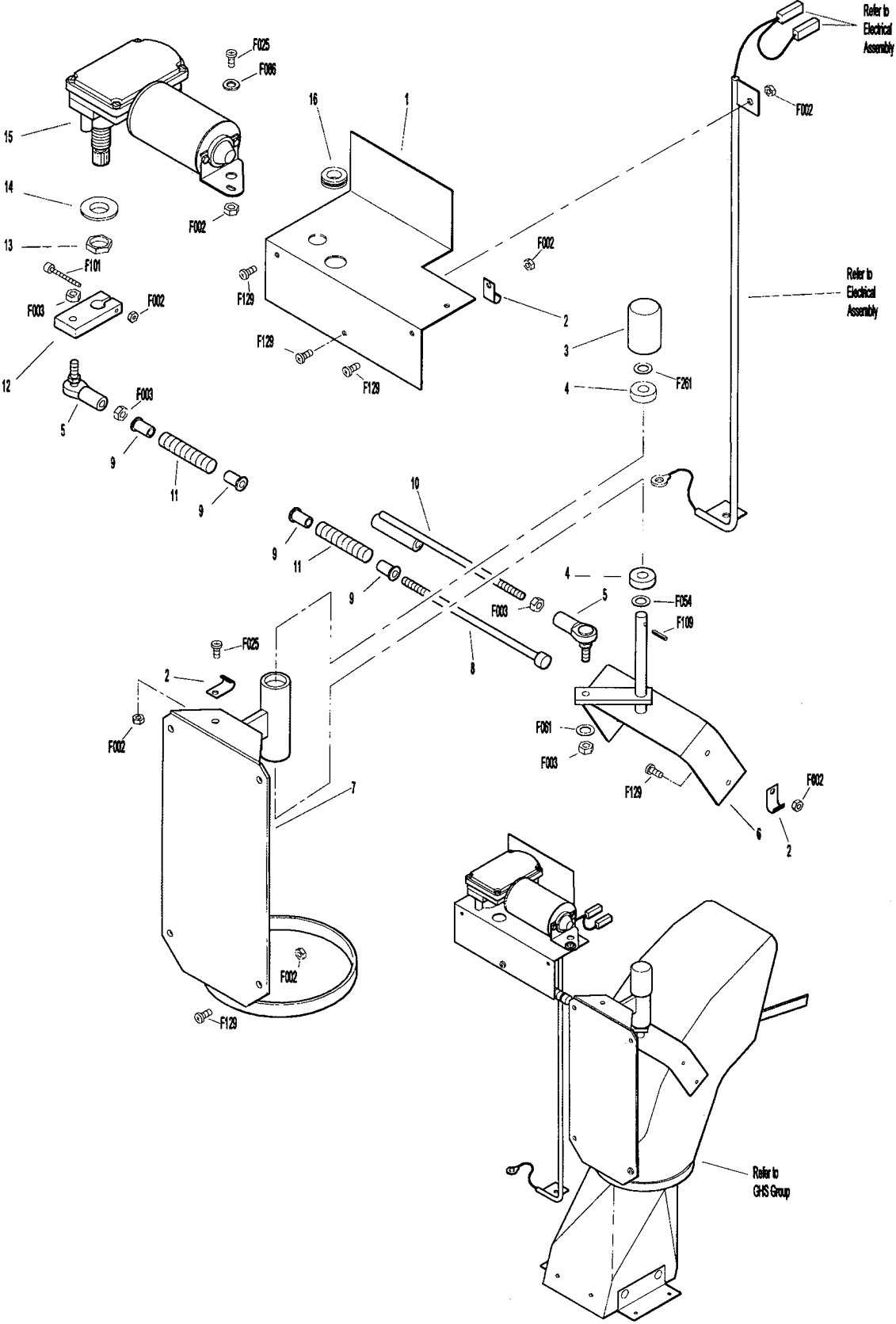
GHS POWERFIL® ASSEMBLY

ITEM NO.	PART NO.	DESCRIPTION	NO. REQ'D	ITEM NO.	PART NO.	DESCRIPTION	NO. REQ'D
GHS Powerfil® Assembly				Fasteners			
1	5557	Motor Mount, Powerfil®	1	F002	10-24 Keps Nut		14
2	5857	Wire Clamp (1/8 J-Clip)	3	F003	1/4-28 Hex Nut		4
3	5551-3	Bearing Cap, Powerfil®	1	F025	10-24 x 3/8 PPHMS		2
4	5551-1	Pivot Bearing (#S3PP)	2	F054	AN960616 Washer		1
5	5552	Ball Joint (1/4-28)	2	F061	1/4 Internal Star Lock Washer		1
6	5518-2	Pivot, Delivery Spout	1	F086	#10 SAE Washer		1
7	5517-2	Pivot Mount	1	F101	10-24 x 1-1/4 SHC Screw		1
8	5558-1	Powerfil® Push Rod	1	F109	1/8 x 5/8 Roll Pin		1
9	5553-3	Bushing, Powerfil® Actuator	4	F129	10-24 x 1/2 PTHMS		11
10	5558-2	Powerfil® Actuator Rod	1	F261	AN960616L Washer		1
	5549	Actuator Rod Assembly (Includes Items # 5, 8, 9, 10, 11 & F003)	*	* Service Part Only			
11	5553-1	Spring, Powerfil® Actuator	2				
12	5554	Actuator Arm	1				
13	5519-3	Motor Mount Nut (5/8-24 Panel Nut)	*				
14	5519-2	Motor Mount Washer	*				
15	5519	Actuator Motor (12/24V) (Includes Items # 13 & 14)	1				
16	5977	Grommet (1/2 ID x 7/8 OD x 1/16)	1				

Use only genuine **Walker** replacement parts.

Effective Date 02-07-97

GHS POWERFIL® ASSEMBLY



GHS 6.7 BUSHEL CATCHER & EXHAUST DEFLECTOR ASSEMBLIES

ITEM NO.	PART NO.	DESCRIPTION	NO. REQ'D	ITEM NO.	PART NO.	DESCRIPTION	NO. REQ'D
Upper Baffle Screen Assembly (Removable)				5598 Optional Dump Bag (Not Shown)**			
1	7509-3	Channel Bottom	2	Fasteners			
2	7505	Mustache Spring	2	F002	10-24 Keps Nut		21
3	6507	Screen Seal, 6.7 (24")	1	F004	1/4-20 Keps Nut		12
4	6856-1	Edge Molding, 6.7 (21-3/4)	1	F020	5/16-18 ESNA Nut		2
5	7509-2	Channel Top	2	F025	10-24 x 3/8 PPHMS		6
6	6512-2	Removable Screen (6.7)	1	F027	10-24 x 5/8 PPHMS		6
7	7506	Knob	2	F035	5/16-18 x 1-1/4 Hex Bolt		1
8	6509-4	C-Channel (6.7)	1	F037	10-24 x 5/8 PTH Screw		4
GHS 6.7 Bushel Catcher Assembly				F049	5/16 SAE Washer		6
9	5584	Reinforcing Strap, Catcher Top	2	F079	A/A66D Aluminum Pop Rivet		29
10	5510-1	6.7 Bushel Catcher, Including Door	1	F085	3/16 Rivet Backup Washer		13
	5502-1	6.7 Catcher, Without Powerfil® (Includes Door)	*	F129	10-24 x 1/2 PTHMS		4
	5502-2	6.7 Catcher Assembly (Includes Powerfil®)	*	F188	1/4-20 Self Locking Nut		17
	5502-3	6.7 Catcher Assembly and Bumper Mount (Includes Bumper & Powerfil®)	*	F195	1/4-20 x 3/4 PPHMS SS		16
11	5583	Handle	2	F196	1/4-20 x 1 PPHMS SS		2
12	5514	Door Frame, Catcher (6.7)	1	F198	.625 x .250 x .040 Washer, SS		17
13	5588	Rubber Bumper (.75 OD x .50)	2	F203	1/4-20 x 5/8 PPHMS SS		4
14	5587	Extension Spring (3/4 x 6-1/2)	2	F230	1/4-20 x 1-1/4 PPHMS SS		1
15	5524	Hinge Bearing	2	F242	1/4-20 x 7/8 PPHMS SS		6
16	5523	Spring Hook	2	F252	10-24 x 3/4 PPHMS		1
17	5522-1	Hinge Backup Plate, LH	1	F255	5/16-18 x 1-1/2 Hex Bolt		1
18	5503	Mounting Frame, Catcher (6.7)	1				
19	5513-1	Mounting Frame Doubler (6.7)	1				
20	5522-2	Hinge Backup Plate, RH	1				
21	6508	Safety Latch Hinge	1				
5504 Exhaust Deflector Kit**							
22	5504-1	Exhaust Deflector (Two Piece Set)	1				
23	5504-3	Hinge, Exhaust Deflector	1				
24	5504-8	Deflector Mount Doubler	2				

* Service Part Only
 ** May be ordered as a factory-installed option or as a kit for dealer installation. Contact your Walker dealer.

NOTE: The Removable Upper Baffle Screen is standard equipment on GHS models starting with Serial Number 97-29143 and on. Order kit P/N 6520 for installation on earlier models. Contact your Walker dealer.

NOTE: Decals for this assembly are not shown here. Refer to Tractor Decals (Page 2) for Decal listing and placement information.

ELECTRICAL ASSEMBLY

ITEM NO.	PART NO.	DESCRIPTION	NO. REQ'D	ITEM NO.	PART NO.	DESCRIPTION	NO. REQ'D
Electrical Assembly				42	5975-5	Wire Clip, Self Mount (SD Models use only 2)	3**
1	5996-3	16-14 GA Ring Term., #10	*	43	5996-8	6 GA Ring Lug (5/16)	*
2	5599	Pigtail Wire Set, Horn	1	44	5996-9	22-18 GA Ring Term., #10	*
3	5975-3	Cable Tie (50# x 7")	2	45	5984	Electric Contact Spring	2**
4	7996-2	1/4 x 22-18 GA Flag Term., Cov. Female	*	46	5985-2	Power Lead Wire, Catcher	1**
5	5536-2	Horn, Full Signal	*	47	5996-13	16-14 GA Ring Term., #10	*
6	7942-1	2-Way Locking Connector, Female	*	48	5982-1	Insulator Washer, Plastic (2")	1**
7	5940-5	16-14 GA Spg. Loaded Term., Male	*	49	5982-2	Insulator Bushing, Plastic	1**
8	7942-4	Single Connector, Male	*	50	6832	Clamp (9/16 x 1/4)	2
9	5940-7	Brass Wire Clip, Female	*	51	6390	Battery Pan	1
10	5996	1/4 x 16-14 GA QKS Term., Female	*	52	6392	Battery Protector Plate	1
11	5975-1	Cable Tie (18# x 3-3/4")	4	53	5910	Battery (12V U1-SP30, Dry)	1
12	5988-1	Conduit Assembly, Powerfil® Wiring	1	54	6923	Negative Battery Cable	1
	5988-4	Powerfil® Conduit & Wire Assembly (Includes Items # 12 & 46)	*	55	5932	Battery Terminal Insul., Black (-)	1
13	5983	Power Lead Wire, Body	**	56	5933	Battery Terminal Insul., Red (+)	1
14	6940	Wire Harness	1	57	6922	Positive Battery Cable	1
15	6833	Clamp (9/16 x #10)	2	58	6929	Starter Solenoid	1
16	8942	2-Way Connector, Male	*	59	5996-10	16-14 GA Ring Term. (5/16)	*
17	5940-4	16-14 GA Spg. Loaded Term., Female	*	60	5940-6	Fuse Holder with Terminals	*
18	7942-3	2-Way Connector, Female	*	61	6941-1	20 Amp Fuse	*
19	5996-16	6 GA Ring Terminal (1/4)	*	62	6929-2	Solenoid Fuse Mount	1
20	7942-10	2-Way Locking Connector, Male	*	63	5839	Hook Bolt, Battery Mount	2
21	5941-1	Switch Boot (Fits P/N 5941)	*	64	5844	Battery Hold-Down Bar	1
22	5941	Safety Switch (Long, Normal Closed) (Includes Item # 21)	1	Fasteners			
23	7942-2	2-Way Connector, Male	*	F002	10-24 Keps Nut (SD Models Use Only 4)	10	
24	5942	Safety Switch (Normal Open) (Includes Item # 25)	1	F004	1/4-20 Keps Nut	7	
25	5942-1	Switch Boot (Fits P/N 5942)	*	F009	5/16-18 Whiz Locknut	1	
26	5991-1	Hourmeter Power Lead Wire	1	F019	1/4-20 ESNA Wing Nut	2	
27	8944-1	3-Way Locking Connector, Female	*	F025	10-24 x 3/8 PPHMS	2	
28	5990	Hourmeter	1	F026	10-24 x 1/2 PPHMS	2	
29	5991-2	Hourmeter Ground Wire	1	F029	1/4-20 x 1/2 Hex Bolt	1	
30	5940-8	3-Way Connector, Male	*	F032	1/4-20 x 3/4 Hex Bolt	6	
31	7942-5	5-Way Connector, Male	*	F050	1/4 SAE Washer	4	
32	6950	PTO Switch (Includes Item # 33)	1	F085	3/16 Rivet Backup Washer	1**	
33	NS	Nut (Included only with Item # 32)	*	F086	#10 SAE Washer	1**	
34	6941	Relay Switch (30/40 Amp)	1	F093	5/16-18 x 1 Hex Bolt	1	
35	5960-2	Ignition Key (1 Set) (Includes Item # 11)	1	F112	5/8 x 1-1/4 x .03 Washer	1	
	5960-3	Key Tip Protector	1	F147	10-24 x 1/2 PPHMS SS	3**	
36	5960-6	Ignition Switch Cover	1	F148	10-24 x 3/8 PPHMS SS	3**	
37	5960-5	Nylon Nut, Ignition Switch	1	* Service Part Only			
38	5960	Ignition Switch (with Keys) (Includes Items # 35, 36, 37 & F112)	1	** GHS Models Only			
39	5940-2	5-Way Connector, Male	*	NOTE: Items 1, 5 & 13 are Service Parts used exclusively on GHS Models.			
40	5940-3	Ignition Switch Cover	1				
41	5996-17	16-14 GA Ring Term. (1/4)	*	NOTE: Decals for this assembly are not shown here. Refer to Tractor Decals (Page 2) for Decal listing and placement information.			

Use only genuine **Walker** replacement parts.

Effective Date 02-07-97

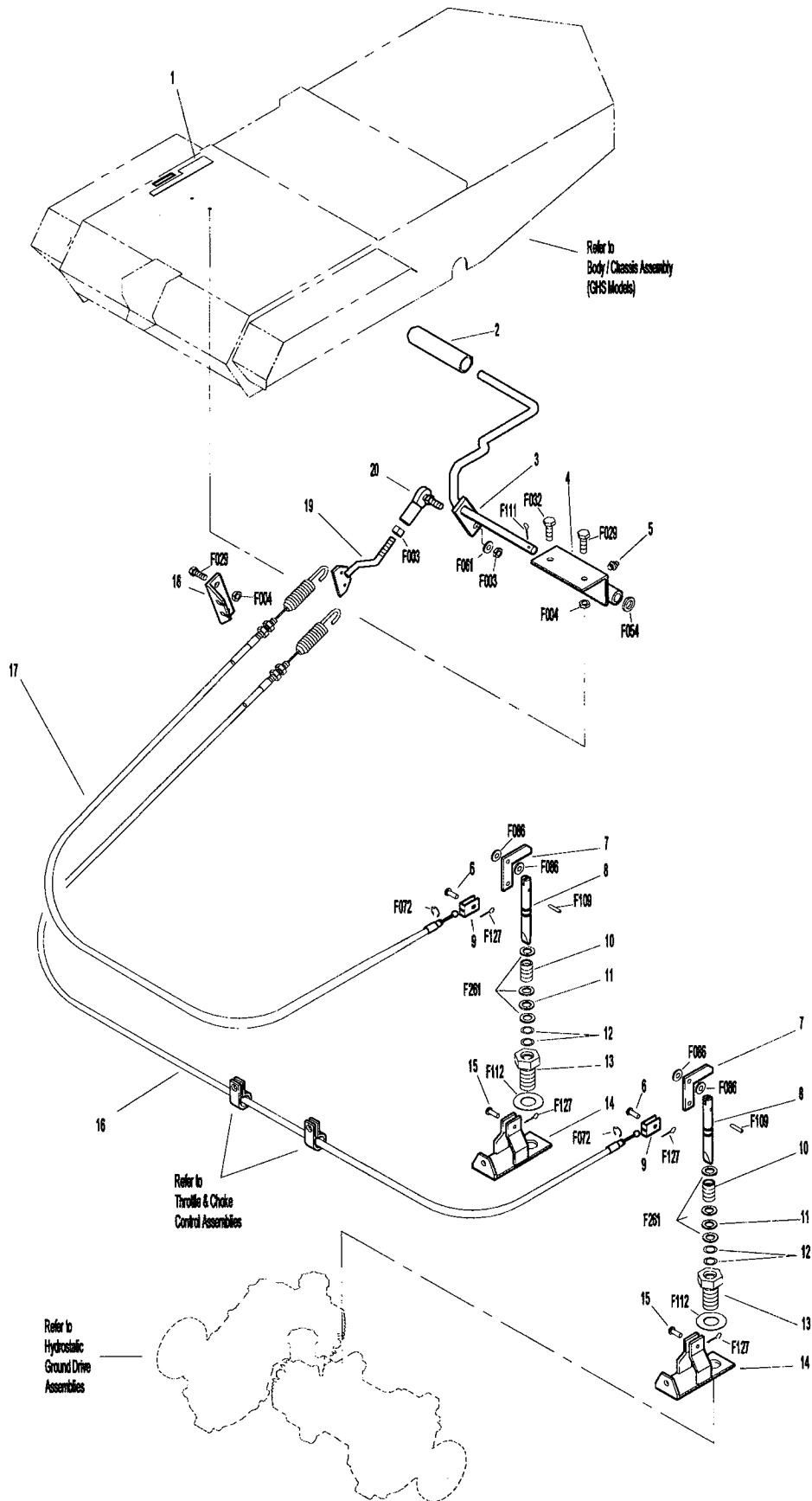
7400 PARKING BRAKE KIT

ITEM NO.	PART NO.	DESCRIPTION	NO. REQ'D	ITEM NO.	PART NO.	DESCRIPTION	NO. REQ'D
7400 Parking Brake Kit*				Fasteners			
1	7809	Decal, Parking Brake	1	F003	1/4-28 Hex Nut		2
2	7406-1	Handle Grip, Red	1	F004	1/4-20 Keps Nut		4
3	7406-5	Parking Brake Lever	1	F029	1/4-20 x 1/2 Hex Bolt		3
4	7406-2	Lever Mount	1	F032	1/4-20 x 3/4 Hex Bolt		1
5	5830	Grease Fitting	1	F054	AN960616 Washer		1
6	7407	Clevis Pin (3/16 x 1/2)	2	F061	1/4 Internal Star Lock Washer		1
7	7404	Brake Actuator Arm	2	F072	1/4 "E" Retainer Ring		2
8	7405	Pin, Transmission Lock	2	F086	#10 SAE Washer		4
9	7402	Clevis	2	F109	1/8 x 5/8 Roll Pin		2
10	7408	Compression Spring (1/2 x 3/4)	2	F111	1/8 x 3/4 Cotter Pin		1
11	7415	Rubber Dust Shield (5/8 x 3/8 x 1/32)	2	F112	5/8 x 1-1/4 x .03 Washer		2
12	5567-3	O-Ring Seal (1/4 x 3/8)	4	F127	1/16 x 1/2 Cotter Pin		4
13	7403	Plunger Bushing, Gear Axle	2**	F261	AN960616L Washer		6
14	7404-1	Brake Actuator Mount	2				
15	7412	Clevis Pin (3/16 x 3/4)	2				
16	7410	Brake Control Cable, LH (27")	1				
17	7409	Brake Control Cable, RH (21")	1				
18	7401-3	Cable Mount Bracket	1				
19	7401-1	Cable Pull Rod	1				
20	5552	Ball Joint (1/4-28)	1				

* May be ordered as a factory-installed option or as a kit for dealer installation. Contact your Walker dealer.

** Replaces P/N F259 on Gear Axle Drive Assembly upon installation of kit.

7400 PARKING BRAKE KIT



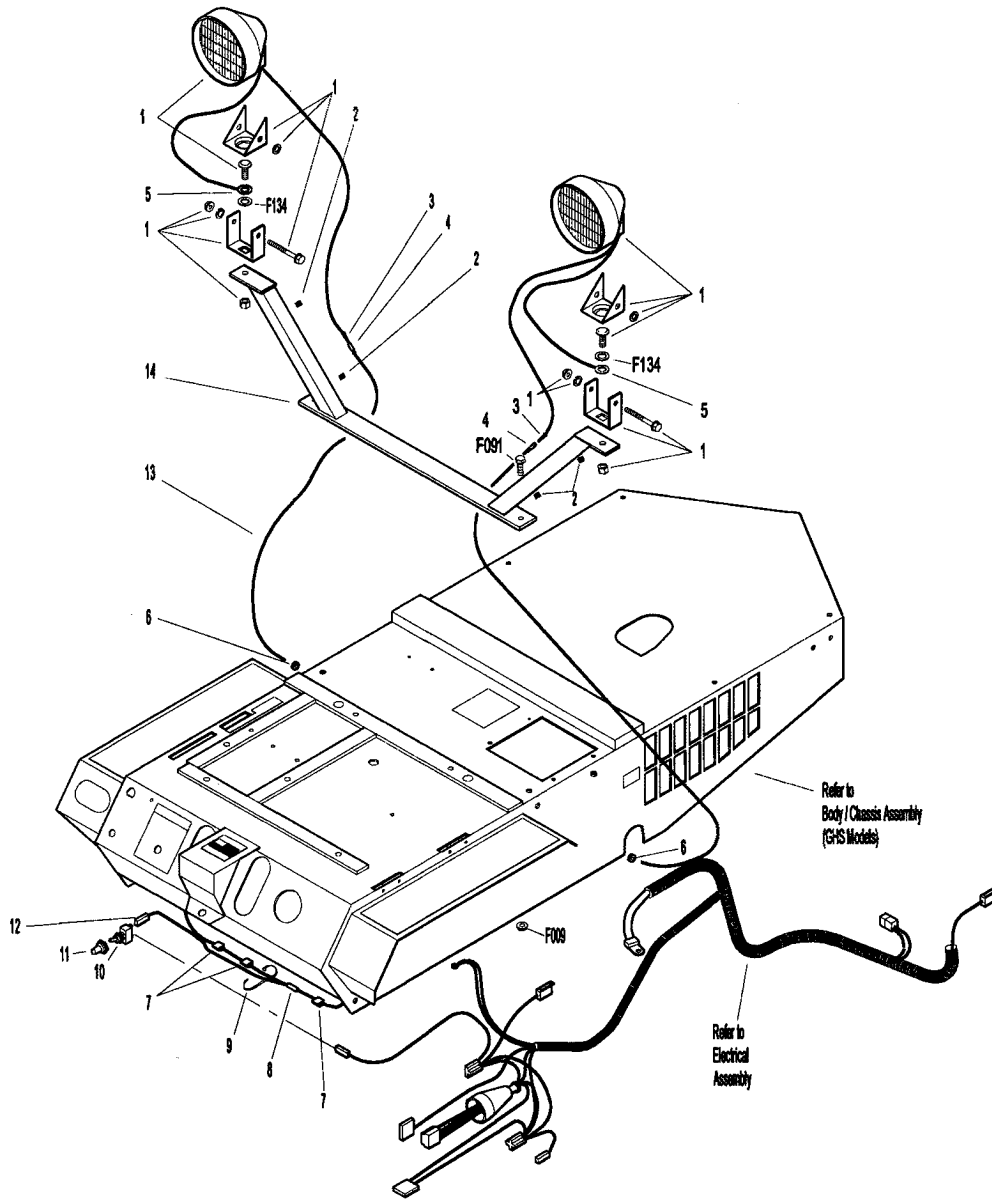
Effective Date 02-07-97

Use only genuine **Walker** replacement parts.

5989 LIGHT KIT

ITEM NO.	PART NO.	DESCRIPTION	NO. REQ'D	ITEM NO.	PART NO.	DESCRIPTION	NO. REQ'D
5989 Light Kit*				Fasteners			
1	5989-2	Light Assembly (Includes Sealed Beam Lamp)	2	F009		5/16-18 Whiz Locknut	2
	5989-6	Sealed Beam Lamp (Fits 5989-2)	**	F091		5/16-18 x 5/8 Hex Bolt	2
2	7834-1	Half U-Wire Clip	4	F134		AN960816L Washer	2
3	5996-4	16-14 GA Bullet Conn., Male	**	* May be ordered as a factory-installed option or as a kit for dealer installation. Contact your Walker dealer.			
4	5996-5	16-14 GA Bullet Conn., Female	**	** Service Part Only			
5	5996-15	12-10 GA Ring Term., (1/2)	**	NOTE: Upon installation of kit, Item # 6 replaces P/N 5989-4 (Dome Plug, 3/8), Item # 10 replaces P/N 5989-5 (Dome Plug, 7/16) and Item # F091 replaces P/N 5989-3 (Dome Plug, 5/16). Dome Plugs are not shown here. Refer to Body / Chassis Assembly (GHS Models), Page 4.			
6	5977-1	Grommet (1/8 x 3/8)	2				
7	5975-5	Wire Clip, Self-Mount	3				
8	5996-1	16-14 GA Butt Conn.	**				
9	5975-1	Cable Tie (18# x 3-3/4")	**				
10	5995	Toggle Switch (Off-On)	1				
11	5995-2	Switch Boot	1				
12	5996	16-14 GA QKS Term., .250, Female	**				
13	7995-4	Power Lead Wire Assembly (Lights) (Includes Items # 4, 8, 9 & 12)	1				
14	7992	Mount Bracket, Lights	1				

5989 LIGHT KIT



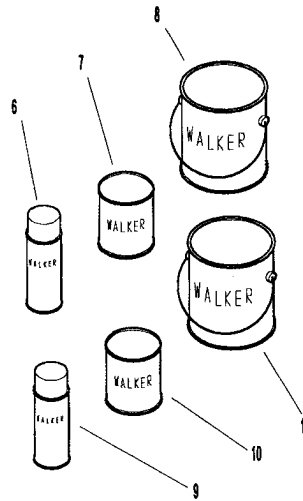
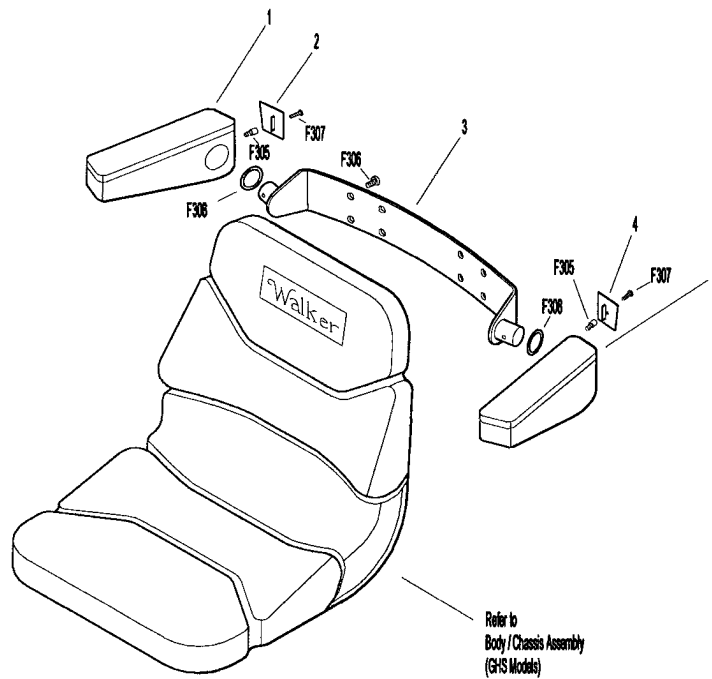
5885 ARMREST KIT & WALKER TOUCH-UP PAINT

ITEM NO.	PART NO.	DESCRIPTION	NO. REQ'D	ITEM NO.	PART NO.	DESCRIPTION	NO. REQ'D
5885 Armrest Kit*				10	5873	Touch-Up Paint, Grey (1 qt.)	
1	5886-1	Armrest, RH	1	11	5873-1	Touch-Up Paint, Grey (1 gal.)	
2	5886-3	Cover Plate, RH	1	Fasteners			
3	5887	Mounting Bracket	1	F305	1/4-20 x 3/8 SH Cap Screw		2
4	5886-4	Cover Plate, LH	1	F306	3/8-16 x 3/4 Hex Bolt		4
5	5886-2	Armrest, LH	1	F307	#10 x 5/8 PPHST Screw		2
	5888	Armrest Hardware Kit (Includes Items # F305, F306, F307 & F308)	**	F308	1-1/4 x 1-5/8 Wave Spring Washer		2
Walker Touch-Up Paint***				* May be ordered as a factory-installed option or as a kit for dealer installation. Contact your Walker dealer.			
6	5866	Touch-Up Paint, Yellow (12 oz. Aerosol)		** Service Part Only			
7	5871	Touch-Up Paint, Yellow (1 qt.)		*** Service Part Only, Walker Touch-Up Paint is not included with any replacement parts or kits and must be ordered separately.			
8	5871-1	Touch-Up Paint, Yellow (1 gal.)					
9	5867	Touch-Up Paint, Grey (12 oz. Aerosol)					

Use only genuine **Walker** replacement parts.

Effective Date 02-07-97

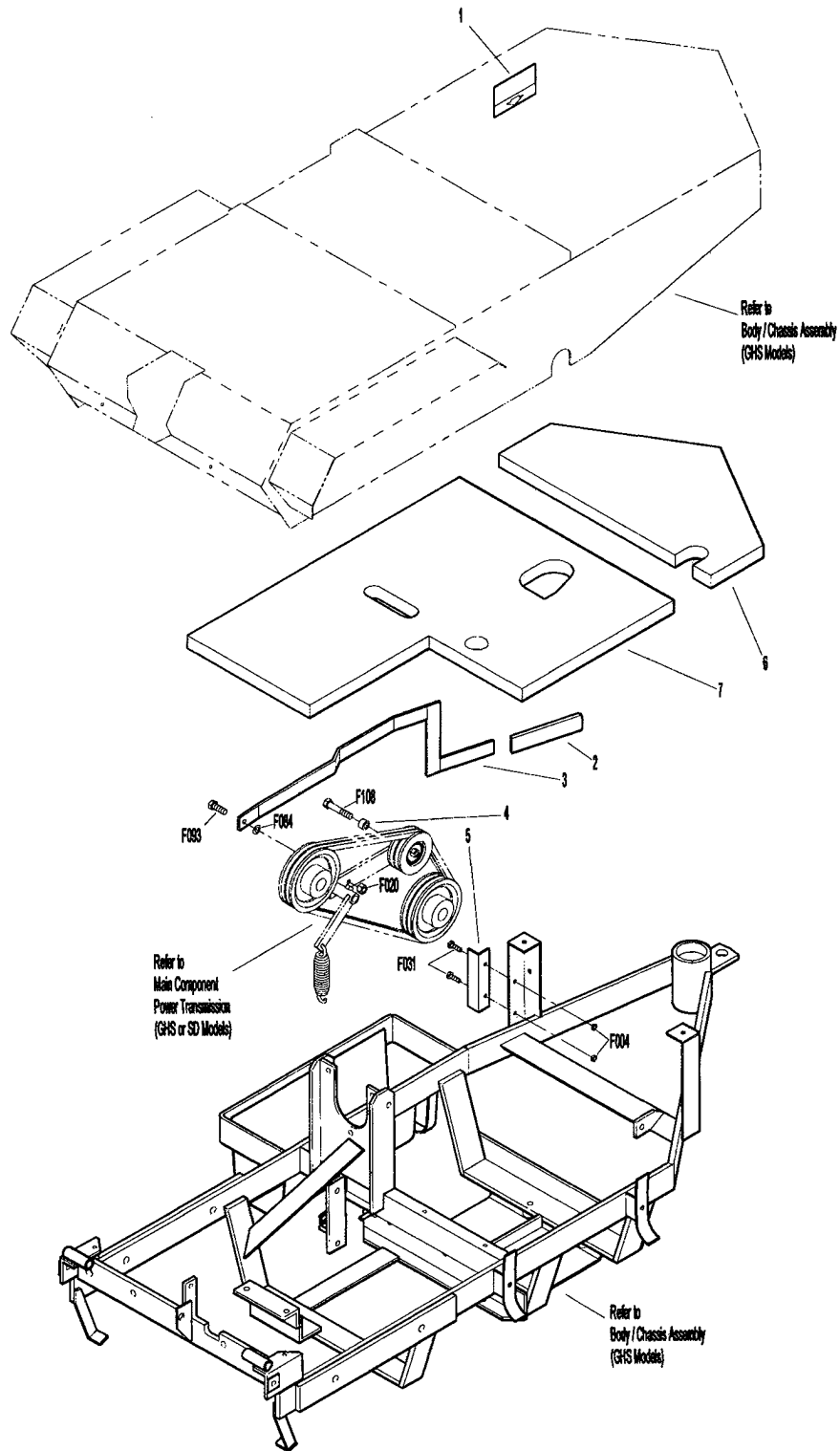
5885 ARMREST KIT & WALKER TOUCH-UP PAINT



5638 COLD START & 5190 ACOUSTICAL SOUND BARRIER KITS

ITEM NO.	PART NO.	DESCRIPTION	NO. REQ'D	ITEM NO.	PART NO.	DESCRIPTION	NO. REQ'D
5638 Cold Start Kit*				Fasteners			
1	5802	Decal, Cold Start	1	F004	1/4-20 Keps Nut		2
2	5850	Handle Grip, Foam	1	F020	5/16-18 ESNA Nut		1
3	5638-1	Engine Belt Release Lever	1	F031	1/4-20 x 5/8 Hex Bolt		2
4	6325-2	Spacer Bushing (5/16)	1	F084	5/16 Wave Spring Washer		1
5	5638-5	Lever Catch	1	F093	5/16-18 x 1 Hex Bolt		1
				F108	3/8-16 x 2 Hex Bolt		1
5190 Acoustical Sound Barrier Kit*				* May be ordered as a factory-installed option or as a kit for dealer installation. Contact your Walker dealer.			
6	NS	Acoustical Sound Barrier, Rear Panel	1				
7	NS	Acoustical Sound Barrier, Front Panel	1				

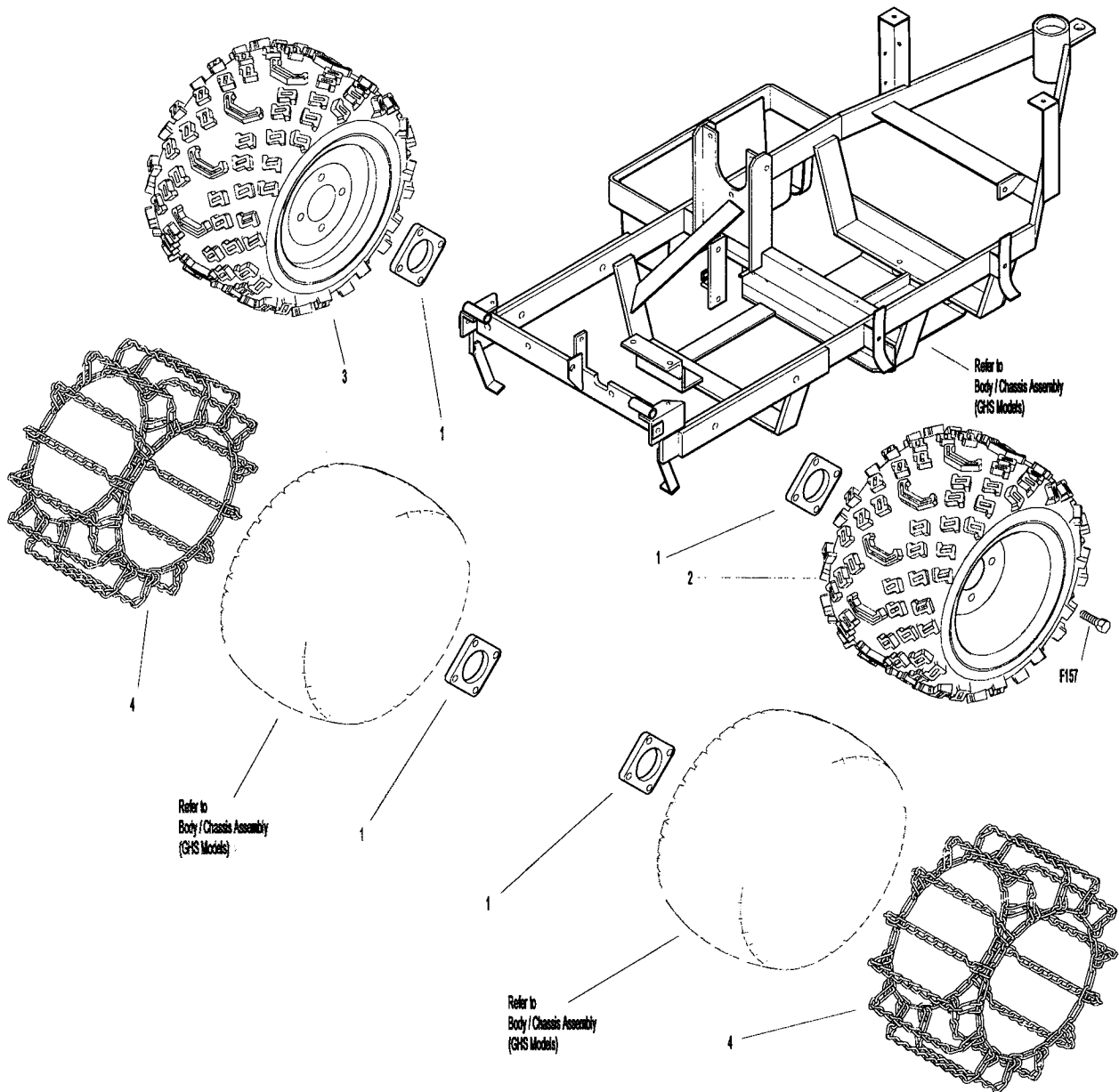
5638 COLD START & 5190 ACOUSTICAL SOUND BARRIER KITS



8072 ALL-TERRAIN TIRE KIT & TIRE CHAIN SETS

ITEM NO.	PART NO.	DESCRIPTION	NO. REQ'D	ITEM NO.	PART NO.	DESCRIPTION	NO. REQ'D
8072 All-Terrain Tire Kit*				Fasteners			
1	8070-4	Wheel Spacer Plate	2**	F157	1/2-20 x 1-1/4	Wheel Lug Bolt	8
2	8071	All-Terrain Wheel & Tire, LH (18 x 11.00-10)	1	* May be ordered as a factory-installed option or as a kit for dealer installation. Contact your Walker dealer.			
3	8070	All-Terrain Wheel & Tire, RH (18 x 11.00-10)	1	** Wheel Spacer Plates (Item 1) are included with Tire Chain Sets as well as with 8072 All-Terrain Tire Kit.			
	8070-1	AT Tire Only (18 x 11.00-10)	***	*** Service Part Only			
	8070-2	AT Wheel Only (10 x 8.5)	***				
Optional Tire Chain Sets**				NOTE: Item F157 is reused from Body / Chassis Assembly (GHS Models) and is not included with P/N 8072. Refer to Body / Chassis Assembly (GHS Models), Page 4.			
4	5675-2	Tire Chain Set (18 x 8.50-8) (For use with Wide Wheel & Tire Assy)	1	NOTE: Tire Chain Sets are not for use on All-Terrain Tires. Use only with tires listed at Item 4. Refer also to Body / Chassis Assembly (GHS Models), Page 4.			
	5675	Tire Chain Set (18 x 6.50-8) (For use with Optional Narrow Drive Tires)	1				

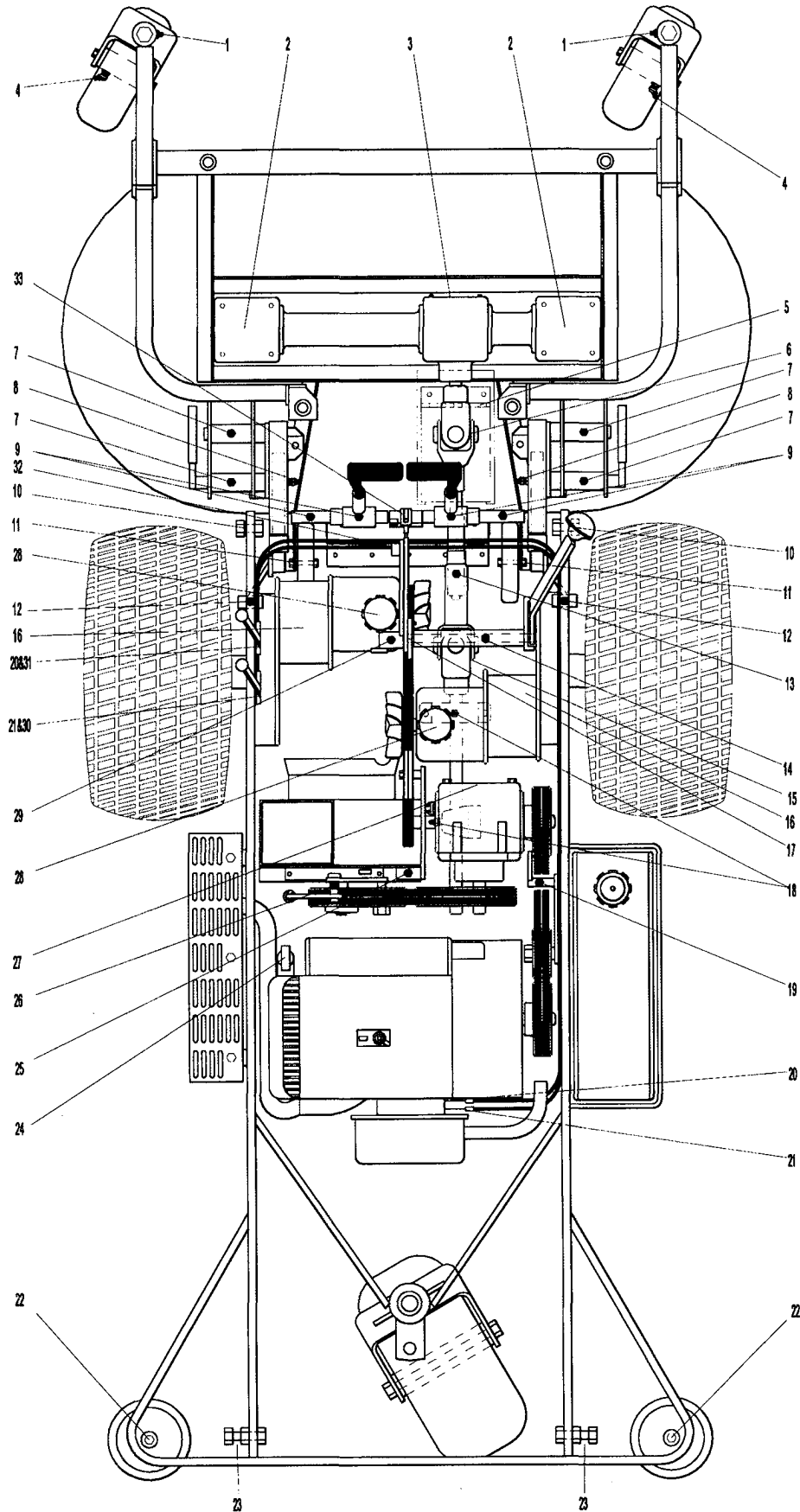
8072 ALL-TERRAIN TIRE KIT & TIRE CHAIN SETS



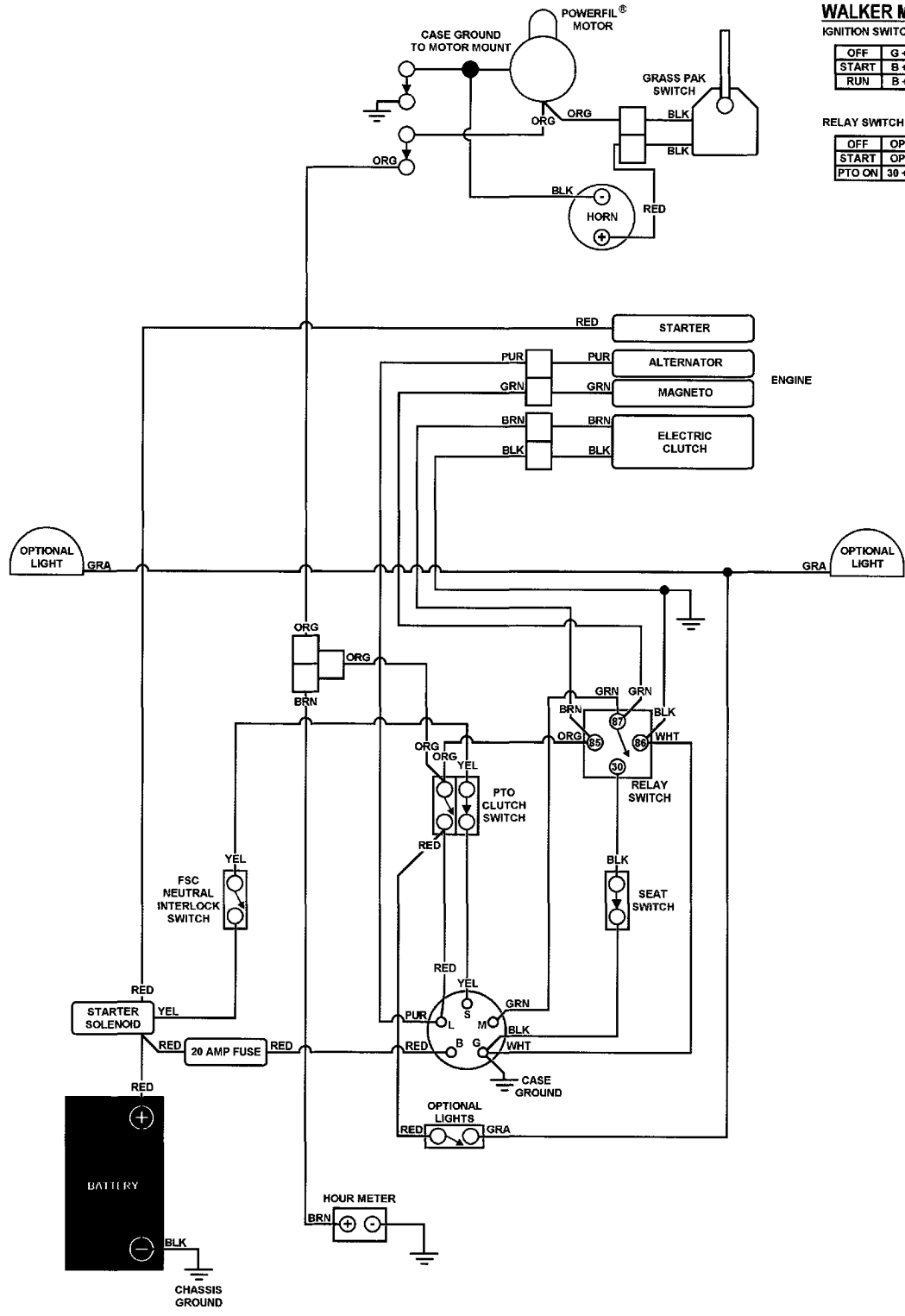
LUBRICATION POINTS

ITEM NO.	LOCATION	LUBRICATION TYPE	NO. PLACES	ITEM NO.	LOCATION	LUBRICATION TYPE	NO. PLACES
Lubrication Points				24	Engine Dipstick / Oil Filler	Oil***	1
1	Deck Caster Wheel Fork Pivot	Grease	2	25	Transmission Belt Tightener Pivot	Grease	1
2	Blade Drive Gearbox	Oil*	2	26	PTO Belt Tightener Pivot	Grease	1
3	Tee Gearbox, Deck	Oil*	1	27	Tee Gearbox, Tractor	Oil*	1
4	Deck Caster Wheel Bearing	Grease	2	28	Hydrostatic Drive	Oil***	2
5	PTO Shaft Guard Hinge	Oil	1	29	(FSC) Friction Body Pivot	Grease	1
6	Universal Joint Shaft Assembly	Grease**	1	30	Choke Control Pivot	Oil	1
7	Pivot Assembly, Tilt-Up Deck	Grease	4	31	Throttle Control Pivot	Oil	1
8	Deck Support Arm Socket	Grease	2	32	Discharge Chute Hinge	Oil	1
9	Steering Lever Pivot	Grease	4	33	FSC Actuator Rod Pivot Pins	Oil	2
10	Body Hinge Point	Oil	2	Not Shown - Parking Brake Lever (Optional)			
11	Deck Roller Wheel	Oil	2	* Gearboxes are permanently lubricated and sealed requiring no scheduled lubrication. Oil level should be checked only when an oil leak is noted.			
12	Deck Support Arm Pivot	Grease	2	** Grease every eight (8) hours.			
13	Deck-to-PTO Coupling	Grease	1	*** See Owner's Manual for procedure for checking and changing oil in Engine Crankcase, Hydrostatic Transmissions, and Gear Axles.			
14	FSC Lever Pivot	Grease	1	° Sealed, relubricatable-type bearings, grease lightly once per year, do not over grease or seals will be damaged.			
15	Universal Joint Tube Assembly	Grease**	1	NOTE: DGHS42 Tilt-Up Deck is shown for reference. For other Deck Lubrication Points, Refer to Carrier Frame and Deck Illustrated Parts Manual.			
16	Gear Axle	Oil***	2				
17	FSC Lever Fork (Grease Slide Area)	Grease	1				
18	Pillowblock Bearing, Drive Shaft	Grease°	2				
19	Engine Belt Tightener Pivot	Grease	1				
20	Throttle Control Cable Ends	Oil	2				
21	Choke Control Cable Ends	Oil	2				
22	Anti-Scuff Roller Wheel	Oil	2				
23	Catcher Hinge Point	Oil	2				

LUBRICATION POINTS



WIRING SCHEMATIC



WALKER MODEL MC

IGNITION SWITCH CIRCUITS

OFF	G + M
START	B + S
RUN	B + L

- S = START CIRCUIT
- M = MAGNETO GROUND CIRCUIT
- B = BATTERY CIRCUIT
- L = ACCESSORY CIRCUIT
- G = CASE GROUND

RELAY SWITCH CIRCUITS

OFF	OPEN
START	OPEN
PTO ON	30 + 87

Use only genuine Walker replacement parts.

Effective Date 02-07-97

LIMITED WARRANTY FOR WALKER COMMERCIAL RIDER MOWER

1. WHAT THIS WARRANTY COVERS, AND FOR HOW LONG:

Walker Manufacturing company will, at its option, repair or replace, without charge, any part covered by this warranty which is found to be defective in material and/or workmanship within one (1) year* after date of sale to the original retail purchaser unless the product is used for rental purposes, in which case this warranty is limited to ninety (90) days. At Walker's request, customer will make the defective part available for inspection by Walker and/or return the defective part to Walker, transportation charges prepaid. All parts and components of the Walker Mower are covered by this warranty **except** the following components which are warranted separately by their respective manufacturers:

Kohler Engine
Kubota Engine
Kawasaki Engine
Eaton Hydraulic Transmission
Peerless Gearboxes
Battery
Tires

The available warranties covering these items are furnished with each mower. Walker does not assume any warranty obligation, liability or modification for these items, which are covered exclusively by the stated warranty of the respective manufacturers noted above.

* An extended three (3) year warranty is offered on the Walker P/N 6200 Gear Axle Assembly.

2. WHAT THIS WARRANTY DOES NOT COVER:

- A. This warranty does not cover defects caused by depreciation or damage caused by normal wear, accidents, improper maintenance, improper use or abuse of the product, alterations, or failure to follow the instructions contained in the Owner's Manual for operation and maintenance.
- B. The customer shall pay any charges for making service calls and/or for transporting the mower to and from the place where the inspection and/or warranty work is performed.

3. HOW TO OBTAIN SERVICE UNDER THIS WARRANTY:

Warranty service can be arranged by contacting the dealer where you purchased the mower or by contacting Walker Manufacturing Company, 5925 East Harmony Road, Ft. Collins, CO 80528. Proof of the date of purchase may be required to verify warranty coverage.

4. WARRANTY LIMITATION:

- A. **THERE IS NO OTHER EXPRESS WARRANTY. ANY WARRANTY THAT MAY BE IMPLIED FROM THIS PURCHASE INCLUDING MERCHANTABILITY AND FITNESS FOR A PARTICULAR PURPOSE IS HEREBY LIMITED TO THE DURATION OF THIS WARRANTY AND TO THE EXTENT PERMITTED BY LAW ANY AND ALL IMPLIED WARRANTIES ARE EXCLUDED.** Some states do not allow limitations on how long an implied warranty lasts, so the above limitations may not apply to you.
- B. **WALKER WILL NOT BE LIABLE FOR ANY INCIDENTAL, CONSEQUENTIAL, OR SPECIAL DAMAGES AND/OR EXPENSES IN CONNECTION WITH THE PURCHASE OR USE OF THE MOWER.** Some states do not allow the exclusion or limitation of incidental or consequential damages, so the above limitation(s) or exclusion(s) may not apply to you.
- C. Only the warranty expressed in this limited warranty shall apply and no dealer, distributor, or individual is authorized to amend, modify, or extend this warranty in any way. Accordingly, additional statements such as dealer advertising or presentations, whether oral or written, do not constitute warranties by Walker, and should not be relied upon.
- D. This warranty gives you specific legal rights, and you may also have other rights which vary from state to state.

WALKER MOWERS™

WALKER MFG. CO. • 5925 E. HARMONY ROAD, FORT COLLINS, CO 80528 • (970) 221-5614
FORM NO. 072297 PRINTED IN USA ©1997 WALKER MFG. CO